

1 2 3 4 5 6 7

更改 REV	出图日期 DATE	设变内容 MODIFICATION	修改 DRAWN
C	2017/10/12	结构变更 取消前端台阶	Zach
B	2017/11/16		

A

B

C

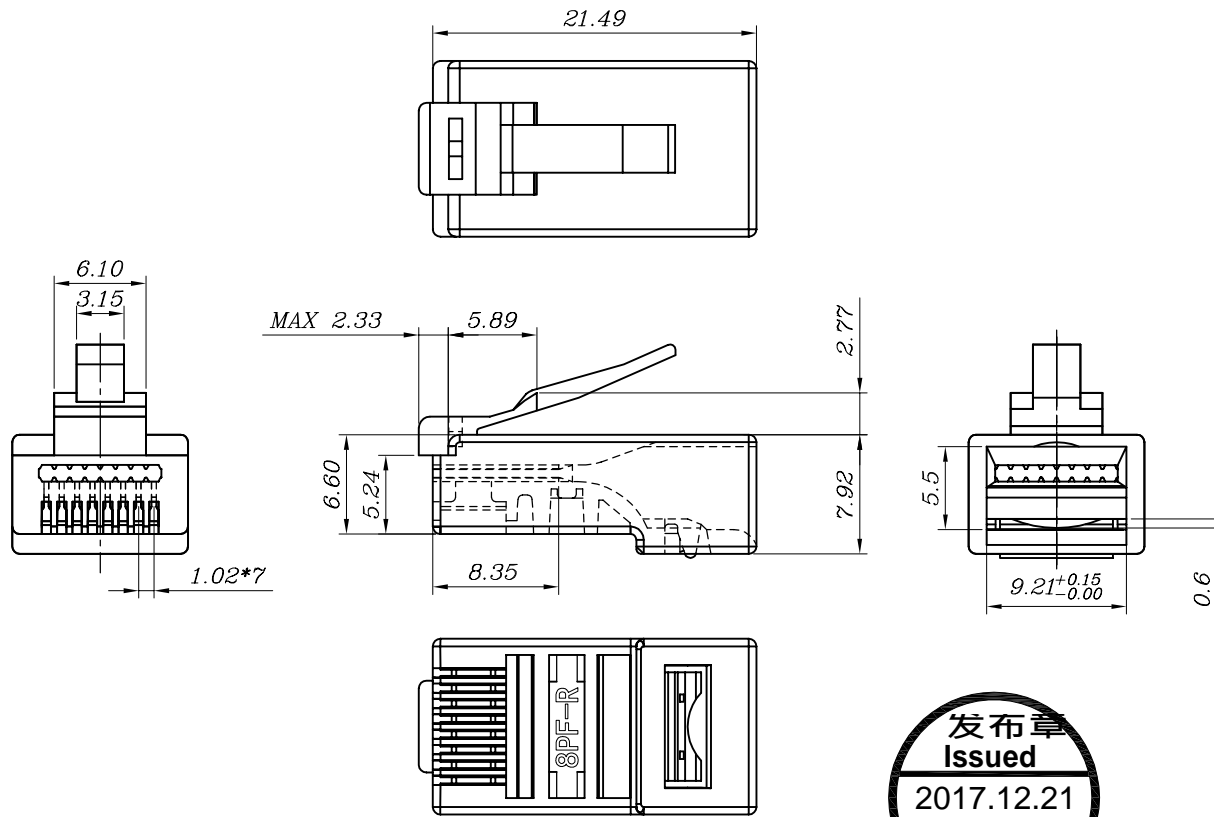
D

A

B

C

D



SPECIFICATIONS

- ELECTRICAL:
 - UL APPLICATIONS: 250 VOLTS AC MAX. AT 2 AMPS.
 - DIELECTRIC WITHSTANDING VOLTAGE : 1000 VOLTS AC. 60 SEC.
 - INSULATION RESISTANCE: 500 MΩ.
 - CONTACT RESISTANCE: 20mΩ MAX.
- MECHANICAL:
 - STRAIN RELIEF: 20POUND MIN.
 - DURABILITY: 1200 MATING CYCLES.
- MATERIAL:
 - HOUSING: POLYCARBONATE, UL94V-0 OR UL94V-2.
 - COLOR: TRANSPARENT OR OTHER COLOR ARE AVAILABLE.
 - CONTACT BLADE: COPPER ALLOY.
 - GOLD PLATING: 3u"-50u", ARE AVAILABLE.
- USAGE:
 - SUITABLE FOR STRANDED & SOLID WIRE 23AWG ~ 26 AWG.
 - (It can be used for the wire OD from Ø 0.93 ~ Ø1.04)



BLADE:	E	EB	Y	YB	Z	A	AE	AB	EC
Drawing									
Mark					✓				
GOLD PLATING	3Mu"	3u"	6u"	15u"	30u"	50u"	CABLE TYPE	ROUND	FLAT
Mark						✓	Mark		

DIMENSION IN mm (Inch) TOLERANCE UNLESS OTHERWISE SPECIFIED		材质 MATERIAL PC	图号 DWG NO.
.X±0.20	.X°±5°	名称 TITLE	
.XX±0.10	.XX°±2°	制图 DRAWN Zach	
审核 APPROVAL 沈红	核 对 CHECKED 钟均	比例 SCALE 2/1	张数 SHEET 1/1
		更改 REV D	

1 2 3 4 5 6 7 ST-DR-009A