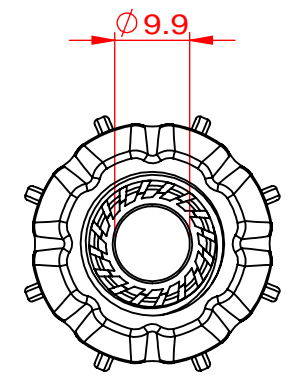
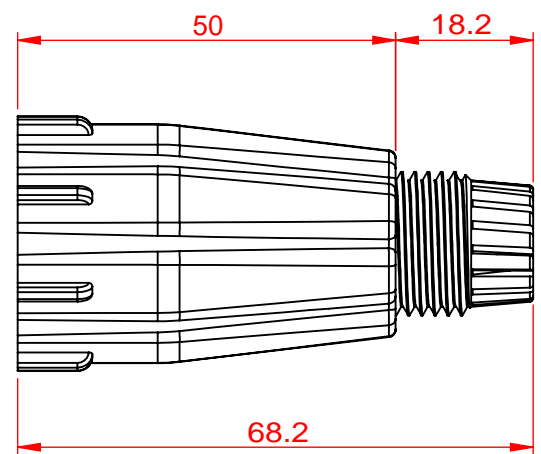
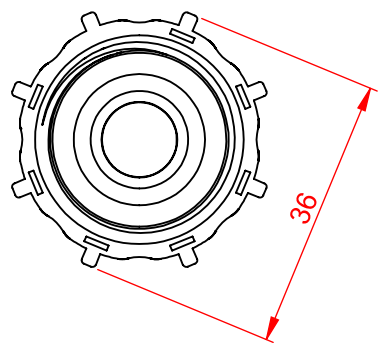
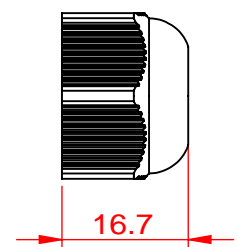
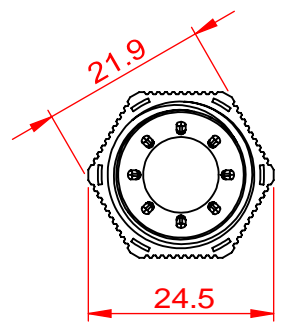
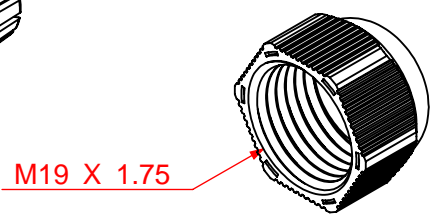
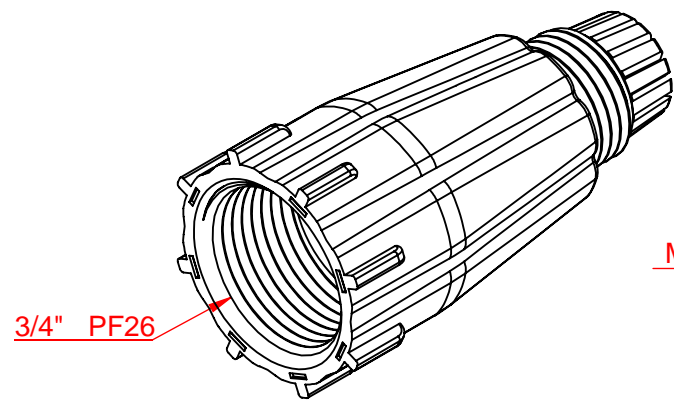


**PRODUCTION**



**IP68**

ACCORDING TO IEC 60529  
Degrees of Protection Provided by Enclosures

6: Dust-tight  
8: Protected from immersion in water for 60 minutes at a depth of 1.5 meter.

**MATERIAL**

MAIN BODY : PC,UL94V-0.  
SEALIN NUT : PC,UL94V-0.  
BACK GASKET : RUBBER.

**PHYSICAL CHARACTERISTICS**

OPERATING TEMPERATURE RANGE : -10 C TO 60 C.  
STORAGE TEMPERATURE RANGE : -40 C TO 68 C.  
HUMIDITY : 10%~90%RH.  
CABLE JACKET DIAMETER : 5 mm TO 8.5 mm

Scale		1:1		All Copy Rights Reserved	
3rd Angle Projection				Title	
Unit		mm			
Date		2020/1/20			
Tolerance					
~20	~50	~150	150~	ANGLE	Drawn by Zeng
±0.2	±0.4	±0.5	±1.5	±2°	