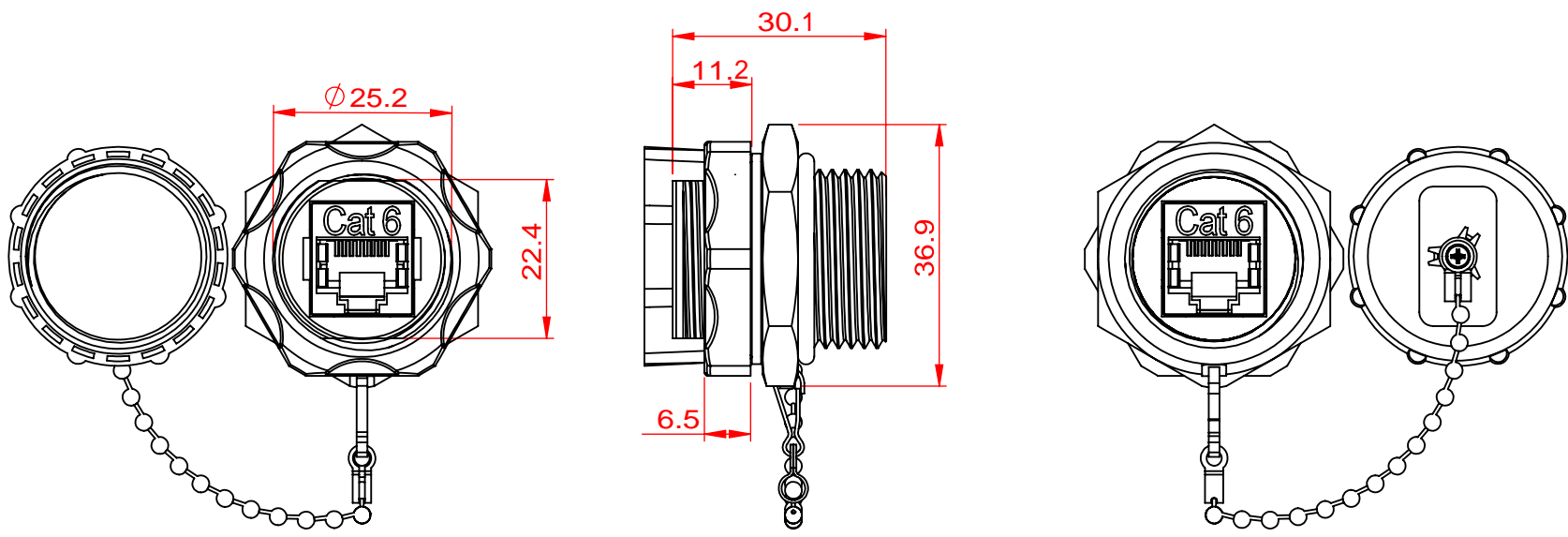


**PRODUCTION**



**IP68**

ACCORDING TO IEC 60529:2001-02  
 Degrees of Protection Provided by Enclosures  
 6: Dust-tight  
 8: Protected from immersion in water for 60 minutes at a depth of 1.5 meter.

**MATERIAL**

MAIN BODY : PBT+GF,UL94V-0.  
 SHIELDED CASE : BRASS,NICKEL PLATED.  
 COUPLER HOUSING : ABS,UL94V-0.  
 JACK CONTACTS : PHOSPHOR BRONZE,50U" GOLD PLATED.

**PHYSICAL CHARACTERISTICS**

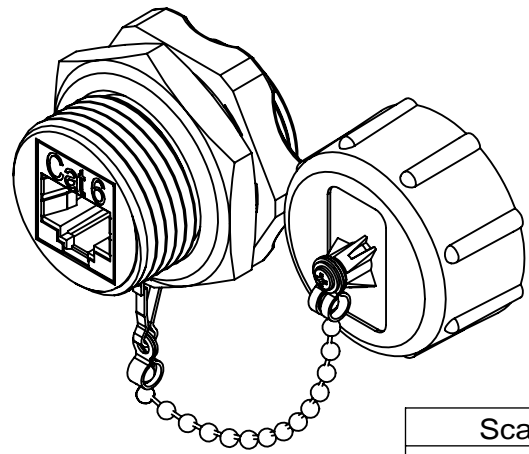
INSERTION LIFE : 750 MATING CYCLES WITH FCC COMPLIANT 8P PLUG.  
 CONTACT FORCE : 100 GRAMS WITH FCC COMPLIANT 8P PLUG.  
 PLUG RETENTION FORCE : 11 LBF MIN.  
 OPERATING TEMPERATURE RANGE : -10 °C TO 60 °C.  
 STORAGE TEMPERATURE RANGE : -40 °C TO 68 °C.  
 HUMIDITY : 10%-90%RH.

**ELECTRICAL**

INSULATION RESISTANCE : 500 MΩ.  
 DIELECTRIC WITHSTANDING VOLTAGE : 1000 V AC.  
 DC CURRENT RATING : 1.5 Amps.  
 DC RESISTANCE : 0.1Ω.  
 CONTACT RESISTANCE : 20mΩ.

**NOTE**

\* ONLY ACCEPT RJ-45 8P8C PLUG.



ACCORDING TO : ANSI/TIA-568-C.2  
 ISO/IEC 11801 2nd Edition  
 IEC 60603-7

Scale		1:1		All Copy Rights Reserved	
3rd Angle Projection				Title	
Unit		mm			
Date		2017/4/14			
Tolerance					
~20	~50	~150	150~	ANGLE	Drawn by NICK
±0.2	±0.4	±0.5	±1.5	±2°	
					Checked by 