

Technical requirement 技术参数:

1. Electrical Characteristics Test 电气性能检验

- 1.1 Products 100% for electrical test. 成品100%电性测试。
- 1.2 Insulation resistance: No less than 100MΩ of 500V DC.
绝缘阻抗: 大于或等于100MΩ 500V DC。
- 1.3 Dielectric strength 耐电压

- 1.3.1 Between two conductors 2500⁺²⁰⁰0V AC for 1.0s Trip-current 1.0mA max.
导体与导体之间2500⁺²⁰⁰0V AC /1秒,漏电流1.0mA(max)。
- 1.3.2 Between conductor and body 4000⁺²⁰⁰0V AC for 1.0s Trip current 1.0mA max.
导体与本体之间4000⁺²⁰⁰0V AC /1秒,漏电流1.0mA(max)。

2. Mechanical Characteristics Test 机械性能检验

- 2.1. Withdrawal force 拔出力
- 2.1.1 For checking each PIN independently from the standard-gauge below 1.5N(Min) Keep for 3S or more.
标准量规对连接器插孔单PIN保持力为最小1.5N保持3秒以上。
- 2.1.2 For checking Integral withdrawal force 50N(MAX) from maximum standard gauge. 标准量规(最大值)检查整体拔出力50N(MAX)。

3. Finished product conditions 成品状态

- 3.1 The attachment plug front show the test mark of "T".
插头主视面须有测试标志" T "。
- 3.2 The dimension with "▽" must be control and inspected importantly. 带"▽"尺寸需重点管控和检验。
- 3.3 material and product comply with Doc No."QW-Q-043" 《material- and product- of restricted substance control specification. 物料及成品必须符合QW-Q-043 《材料与成品限用物质管理规范》。

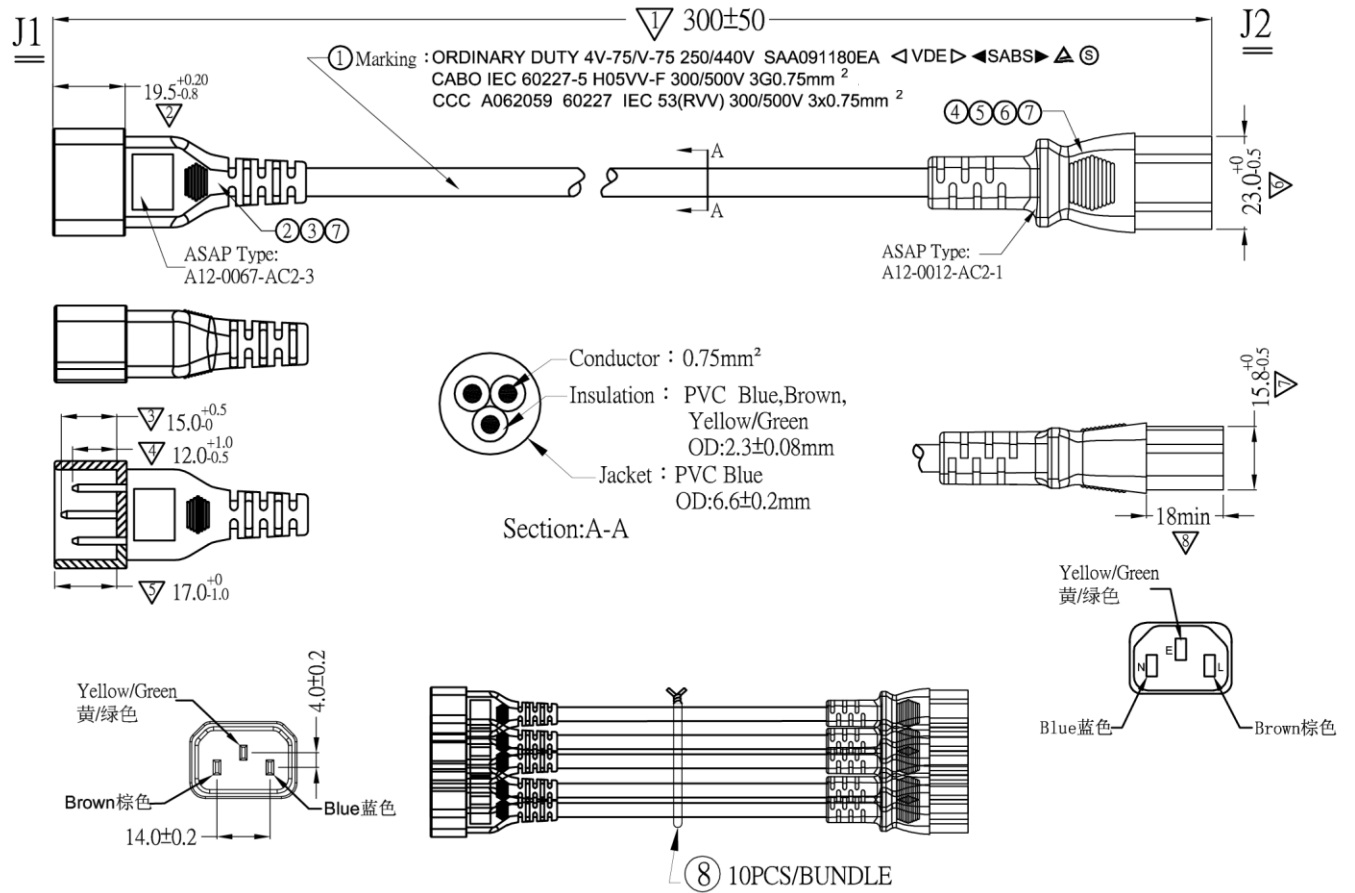
4. Standards 标准

- 4.1 The cord shall comply with GB5023.5. 线材符合GB5023.5.
- 4.2 The plug and connector shall comply with GB17465.1,
插头和连接器须符合GB17465.1;
- 4.3 The components shall comply with GB15934, 产品组件须符合GB15934.

Wiring method:

J1	cord	J2
E	Yellow/Green	E
L	Brown	L
N	Blue	N

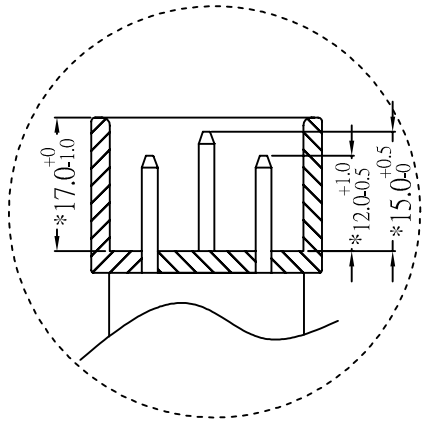
REV.	DESCRIPTION	DESIGN	APPROVAL	DATE
B	ECN17-000001978(Change J2 marking)	Hongmei	XL Deng	2017.02.06
C	Change the customer P/N	DanPeng	XL Deng	2017.07.29
D	500000131545(remove "S" from CCC mark)	Hongmei Hu	Hongjiang Zhu	2021.07.15



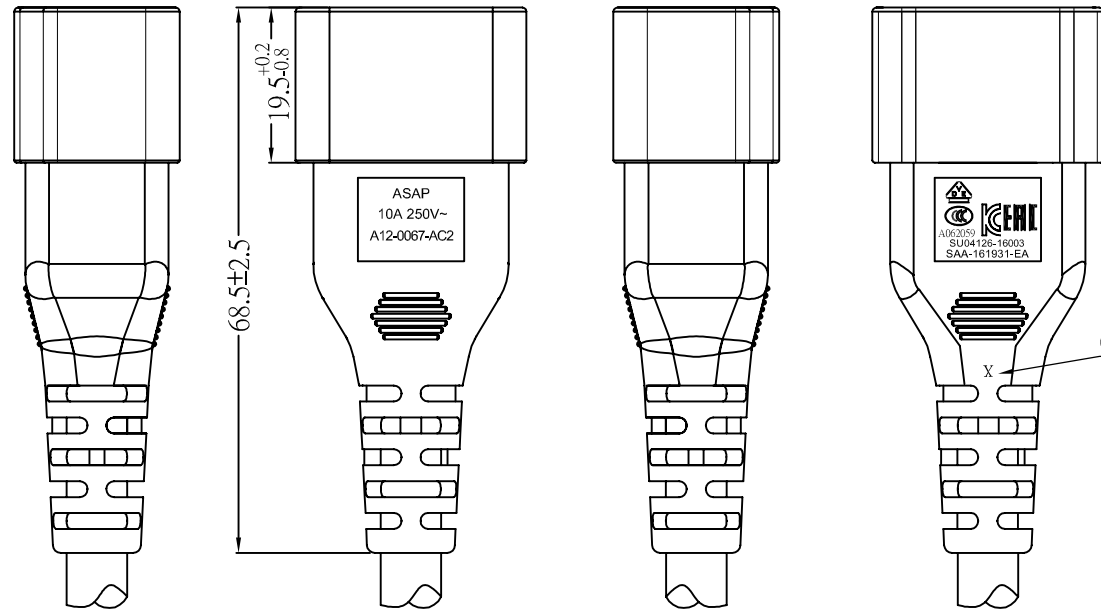
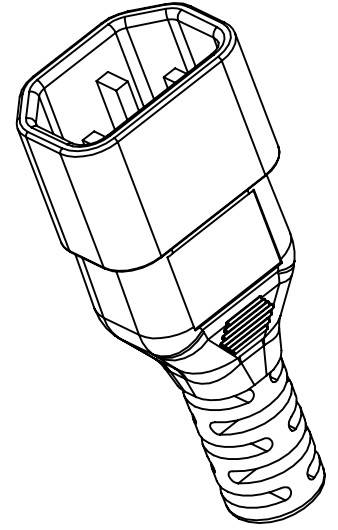
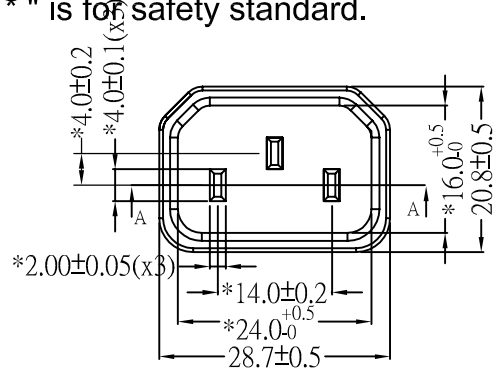
ITEM	NAME	DESCRIPTION	UNIT	QTY	X.±	X.°±	UNITS	P/N:42-2709			
⑧	TIE	PP ROPE White	pcs	1	.X±	.X°±	mm	PART NO: L8CAC089-QT-N	TITLE: VDE C14 To C13 L0. 3m pantone 7692c Blue		
⑦	PLASITC	55P Blue PVC pellets meet RoHS and UL94 V-0.	g	1	.XX±	.XX°±	MATL				
⑥	HOUSING	Down cover of C13, PBT material, white UL94V-0	pcs	1	.XXX±	.XXX°±	FINISH	APPD: Hoangjiang Zhu	DWG NO: ACRDN16030060-004		
⑤	HOUSING	Upper cover of C13, PBT material, white UL94V-0	pcs	1				CHKD: Guangren Ouyang			
④	TERMINAL	U type contact terminal with wing for C13 connector, brass;	pcs	3			Q'TY	DR: Hongmei Hu	SCALE NONE	SHEET 1/1	REV. D
③	HOLDER	Holder, PBT material, Blue.	pcs	1							
②	BLADE	Blade 2x4mm, copper, nickel-plated	pcs	3							
①	POWER CORD	H05VV-F 3x0.75mm ² , Blue	mm	NA							

NOTE:
 Technical Requirement: The dimension with " * " is for safety standard.

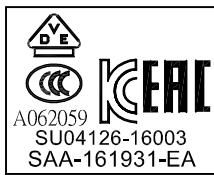
REV.	DESCRIPTION	DESIGN	APPROVAL	DATE
A	NEW	FG HU	QS LIU	2020.02.26



section A-A

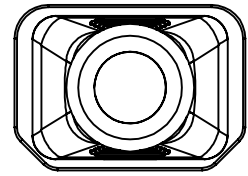


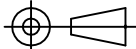
ASAP
 10A 250V~
 A12-0067-AC2



注意变更

Marking

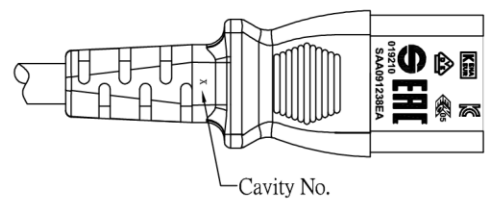
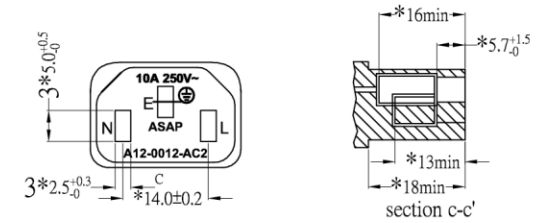
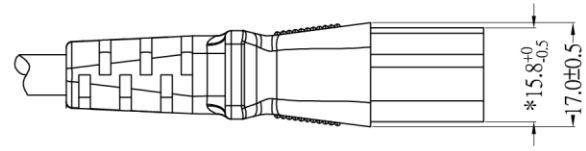
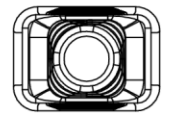
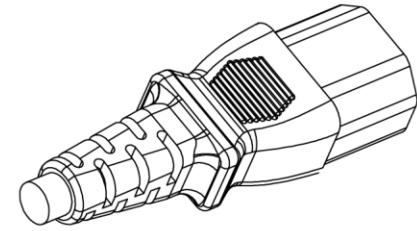
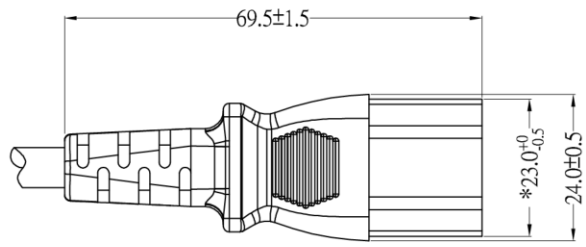


X. :±0.6	X.° :±1°	DWG TYPE: PRODUCT DRAWING	TITLE: CCC/VDE C14			
.X :±0.4	.X° :±0.6°					
.XX:±0.10	.XX°:±0.3°	MOUID NO: AC-C0067-x	DWG NO: A12-0067-AC2-3			
UNITS	mm	APPD: 欧阳光仁				
		CHKD: 刘秋顺		SCALE	SHEET	REV.
		DRAW: 刘景		NONE	1/1	A

NO.	SPECIFICATION	Remark
1	H05VV-F 3×0.75mm ² Ø6.7mm	Round Cable

NOTE:
 Technical Requirement: The dimension with " * " is for safety standard.

REV.	DESCRIPTION	DESIGN	APPROVAL	DATE
A	NEW	JING LIU	QS LIU	2017.9.25



Marking

X. :±0.6	X.° :±1°	DWG TYPE:	
.X :±0.4	.X° :±0.6°	PRODUCT DRAWING	
.XX:±0.10	.XX°:±0.3°	MOUID NO:	TITLE:
UNITS	mm	AC-C0012-x	ENEC C13 CONNECTOR 10A 250V~
		APPD: 欧阳光仁	DWG NO:
		CHKD: 刘秋顺	A12-0012-AC2-1
		DRAW: 刘景	SCALE SHEET REV.
			NONE 1/1 A

NO.	SPECIFICATION	Remark
1	H05VV-F 3*0.75 OD: 6.6	Round Cable

