

**Technical requirement 技术参数 :**

**1. Electrical Characteristics Test 电气性能检验**

- 1.1 Products 100% for electrical test. 成品100%电性测试.
- 1.2 Insulation resistance: No less than 100MΩ of 500V DC/0.4S.  
绝缘阻抗: 大于或等于100MΩ 500V DC/0.4S.
- 1.3 Dielectric strength 耐电压

- 1.3.1 Between two conductors  $2500^{+200}_0$ V AC for 1.0s Trip-current 3.0mA max.  
导体与导体之间  $2500^{+200}_0$ V AC /1秒,漏电流3.0mA(max).
- 1.3.2 Between conductor and body  $4200^{+200}_0$ V AC for 1.0s - Trip current 3.0mA max.  
导体与本体之间  $4200^{+200}_0$ V AC /1秒,漏电流3.0mA(max).

**2. Mechanical Characteristics Test 机械性能检验**

- 2.1. Withdrawal force 拔出力
  - 2.1.1 For checking each PIN independently from the standard-gauge below 1.5N(Min) Keep for 3S or more.  
标准量规对连接器插孔单PIN保持力为最小1.5N保持3秒以上.
  - 2.1.2 For checking Integral withdrawal force 50N(Max) from maximum standard gauge. 标准量规(最大值)检查整体拔出力 50N(最大).

**3. Finished product conditions 成品状态**

- 3.1 The attachment plug front show the test mark of "T".  
插头主视面须有测试标志 "T".
- 3.2 The dimension with "∇" must be control and inspected importantly.  
带 "∇" 尺寸需重点管控和检验.

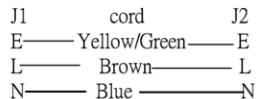
**4. Standards 标准**

- 4.1 The cord shall comply with IEC 60227. 线材符合 IEC 60227
- 4.2 The molded plug shall comply with BS1363-1. 插头符合 BS1363-1.
- 4.3 The molded connector shall comply with BS EN60320-1.  
连接器符合 BS EN60320-1

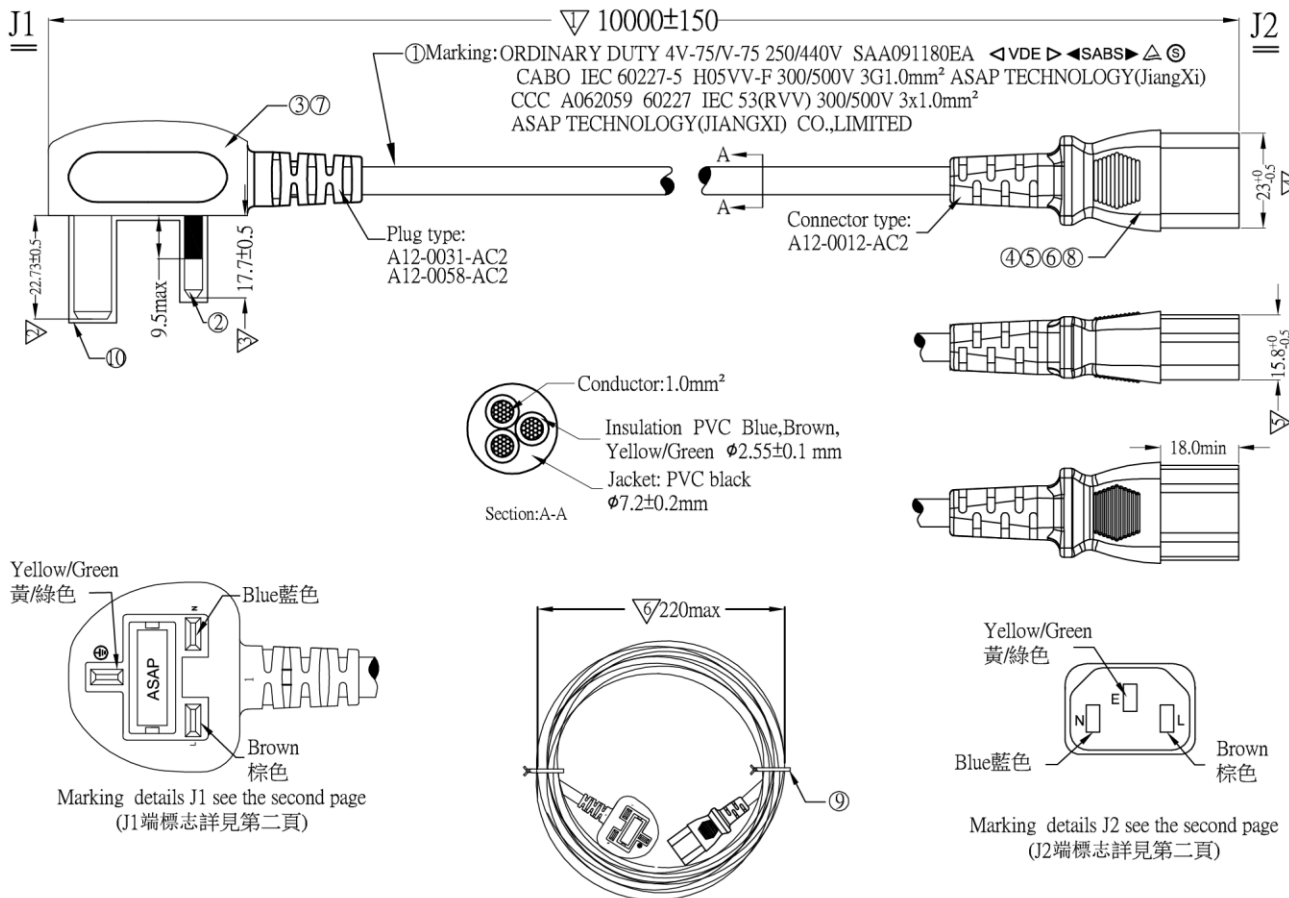
**5. Environmental requirement 环保要求**

- 5.1 Material and product comply with Doc No. "QW-Q-043" 《material-and product- of restricted substance control specification.  
物料及成品必须符合 QW-Q-043 《材料与成品限用物质管理规范》.

**接线方式 :**



REV.	DESCRIPTION	DESIGN	APPROVAL	DATE
A	NEW	OU YANG	BG YANG	2015.03.28
B	ECN16-000005930(修改测试参数)	Hongmei	XL Deng	2016.03.14
C	ECN16-0000039213(J1 change the PSB licence no. and J2 change to be ENEC marking)	Hongmei	XL Deng	2016.12.19
D	Change the UK plug and customer P/N(ECN17-0000021290)	DanPeng	XL Deng	2017.06.26



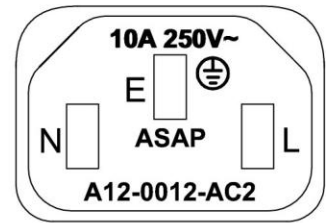
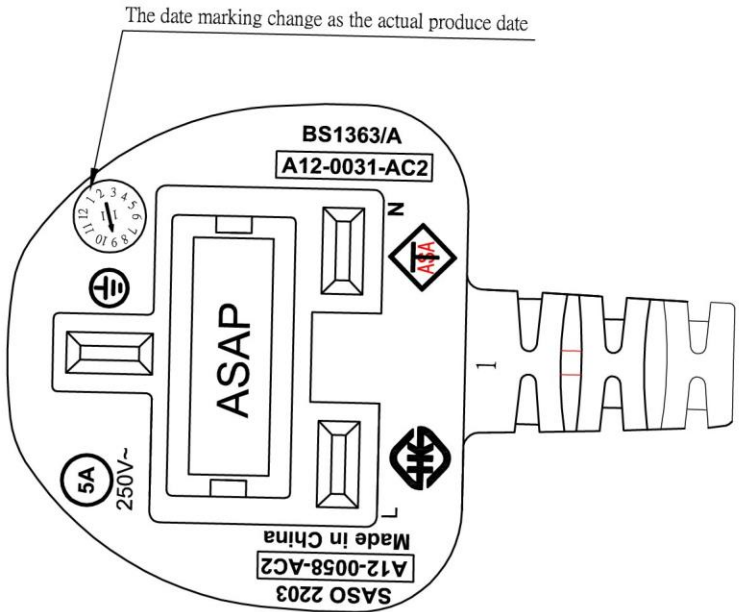
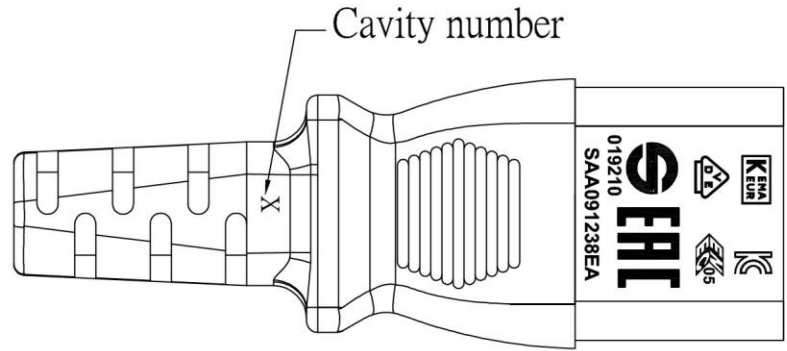
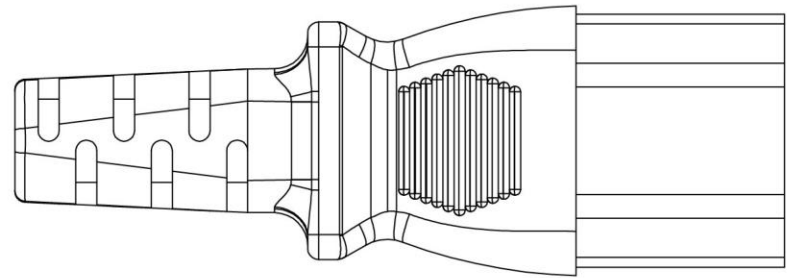
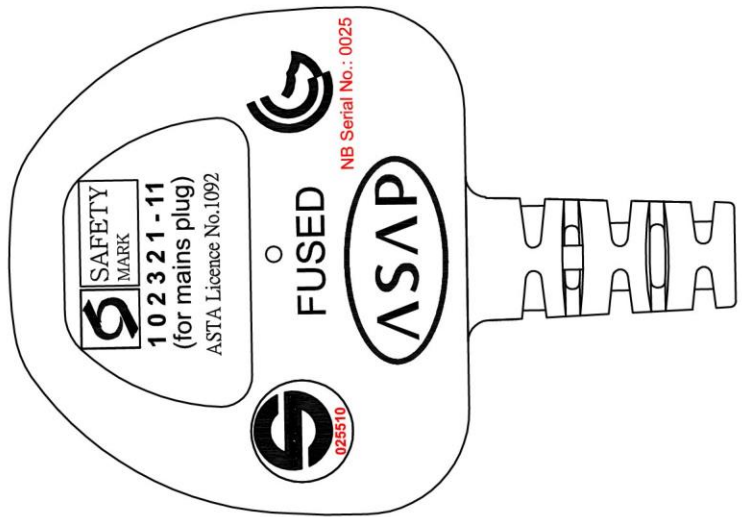
Marking details J1 see the second page (J1端标志详见第二页)

Marking details J2 see the second page (J2端标志详见第二页)

ITEM	NAME	DESCRIPTION	Q'TY	UNIT
⑩	SLEEVE	Protecting of plug, White	PCS	1
⑨	TIE	BLACK PE tie hanking cord and meeting RoHS.	PCS	1
⑧	PLASITC	45P BLACK PVC pellets meeting RoHS and UL94 V-0.	KG	
⑦	PLASITC	55P BLACK PVC pellets meeting RoHS and UL94 V-0.	KG	
⑥	TERMINAL	U type contact terminal with wing for C13 connector, copper	PCS	3
⑤	HOUSING	Down cover of C13, PBT material, white	PCS	1
④	HOUSING	Upper cover of C13, PBT material, white	PCS	1
③	FUSE	5A fuse in line with BS 1362	PCS	1
②	INSERT	UK fuse plug insert with grounding, black	PCS	1
①	POWER CORD	H05VV-F 3x1.0mm <sup>2</sup> Φ7.2±0.2mm Black	MM	

THESE DRAWINGS AND SPECIFICATIONS ARE THE PROPERTY OF LUXSHARE-ICT AND SHALL NOT BE REPRODUCED, COPIED OR CUED IN ANY MANNER WITHOUT THE PRIOR WRITTEN CONSENT OF LUXSHARE-ICT

Cablenet P/N: 42-2901			
PART NO: L8CAC031-QT-N	TITLE: UK To C13 L10.0m black		
APPD: Baogen Yang	DWG NO: ACRDN15030049-001		
CHKD: Guangren Ouyang			
DRAW: Guangren Ouyang			
	SCALE: NONE	SHEET: 1/2	REV.: D



J2Marking  
J2端標誌

J1 Marking  
J1端標誌

X.±	X.°±
.X±	.X°±
.XX±	.XX°±
.XXX±	.XXX°±
UNITS	mm

THESE DRAWINGS AND SPECIFICATIONS ARE THE PROPERTY OF LUXSHARE-ICT AND SHALL NOT BE REPRODUCED, COPIED OR CUED IN ANY MANNER WITHOUT THE PRIOR WRITTEN CONSENT OF LUXSHARE-ICT

Cablenet P/N: 42-2901	
PART NO: L8CAC031-QT-N	
APPD: Baogen Yang	DWG NO: ACRDN15030049-001
CHKD: Guangren Ouyang	
DRAW: Guangren Ouyang	

TITLE: UK To C13 L10.0m black		
DWG NO: ACRDN15030049-001		
SCALE NONE	SHEET 2/2	REV. D

