

Technical requirement 技术参数 :

1. Electrical Characteristics Test 电气性能检验

- 1.1 Products 100% for electrical test. 成品100%电性测试.
- 1.2 Insulation resistance: No less than 100MΩ of 500V DC/0.4S.  
绝缘阻抗: 大于或等于100MΩ 500V DC/0.4S.
- 1.3 Dielectric strength 耐电压
  - 1.3.1 Between two conductors  $2500_{-0}^{+200}$ V AC for 1.0s Trip-current 1.0mA max.  
导体与导体之间  $2500_{-0}^{+200}$ V AC /1秒, 漏电流1.0mA(max).
  - 1.3.2 Between conductor and body  $4000_{-0}^{+200}$ V AC for 1.0s - Trip current 1.0mA max.  
导体与本体之间  $4000_{-0}^{+200}$ V AC /1秒, 漏电流1.0mA(max).

2. Mechanical Characteristics Test 机械性能检验

- 2.1. Withdrawal force 拔出力
  - 2.1.1 For checking each PIN independently from the standard-gauge below 1.5N(Min) Keep for 3S or more.  
标准量规对连接器插孔单PIN保持力为最小1.5N保持3秒以上.
  - 2.1.2 For checking Integral withdrawal force 50N(Max) from maximum standard gauge. 标准量规(最大值)检查整体拔出力 50N(最大).

3. Finished product conditions 成品状态

- 3.1 The attachment plug front show the test mark of "T".  
插头主视面须有测试标志"T".
- 3.2 The dimension with "▽" must be control and inspected importantly.  
带"▽"尺寸需重点管控和检验.

4. Standards 标准

- 4.1 The cord shall comply with VDE 0281-5 ,HD21.5.IEC60227  
线材符合VDE 0281-5 ,HD21.5 IEC60227
- 4.2 The plug and connector shall comply with IEC60320  
插头和连接器须符合 IEC60320;

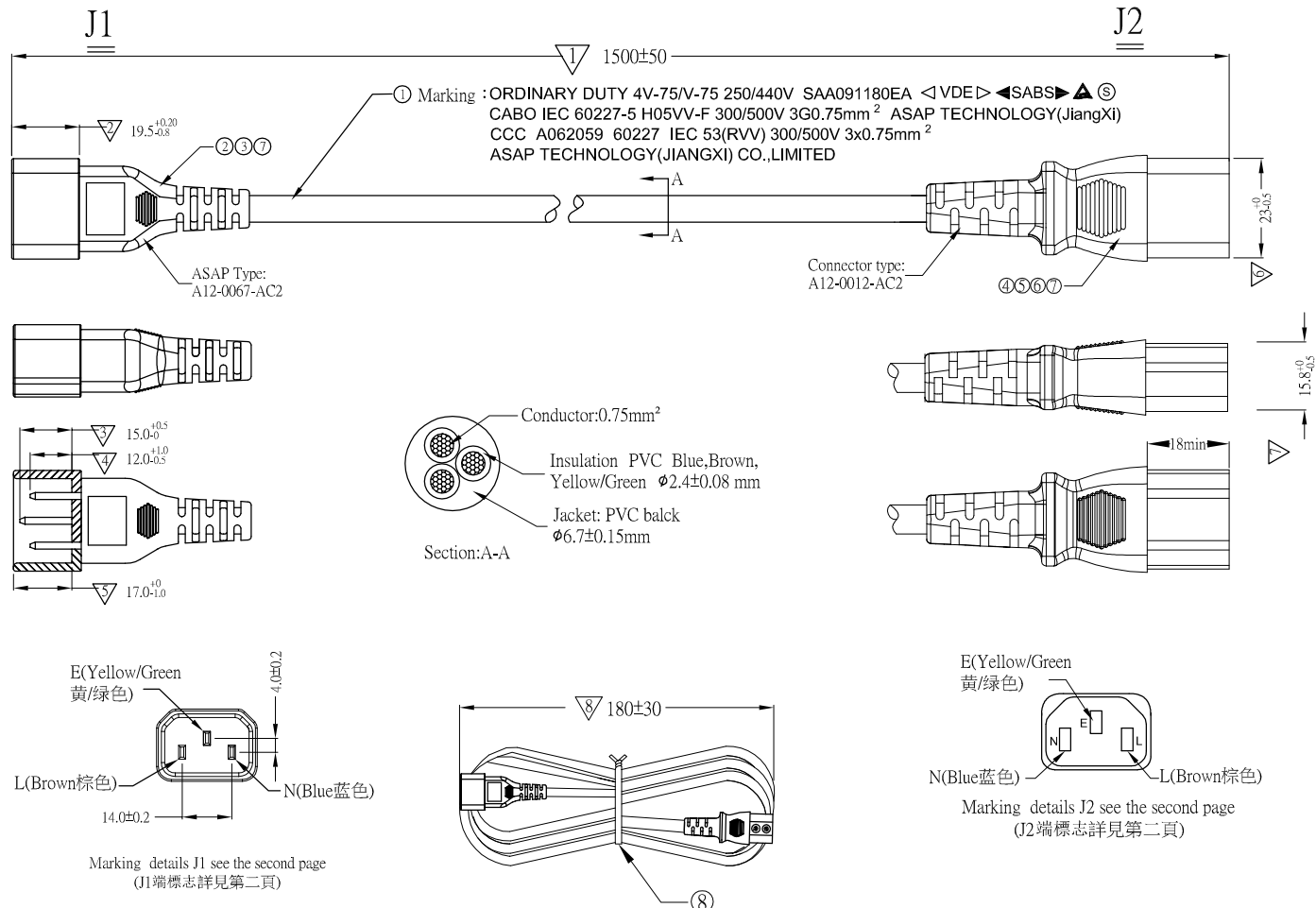
5. Environmental requirement 环保要求

- 5.1 Material and product comply with Doc No."QW-Q-043" 《material-and product- of restricted substance control specification.  
物料及成品必须符合QW-Q-043 《材料与成品限用物质管理规范》.

Wiring method :

J1 cord J2  
E — Yellow/Green — E  
L — Brown — L  
N — Blue — N

REV.	DESCRIPTION	DESIGN	APPROVAL	DATE
X	NEW	HM Hu	BG YANG	2015.05.21

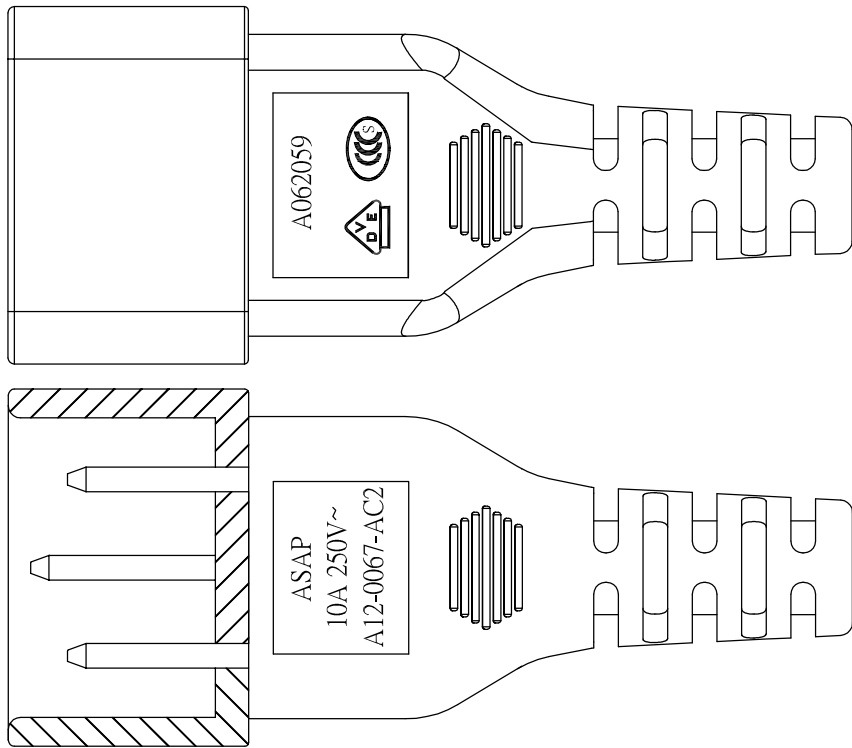


ITEM	NAME	DESCRIPTION	Q'TY	UNIT
⑧	TIE	BLACK PE tie hanking cord and meeting RoHS, L=145mm.	PCS	1
⑦	PLASITC	55P BLACK PVC pellets meeting RoHS and UL94 V-0.	KG	
⑥	HOUSING	Down cover of C13, PBT material, white UL94V-0	PCS	1
⑤	HOUSING	Upper cover of C13, PBT material, white UL94V-0	PCS	1
④	TERMINAL	U type contact terminal with wing for C13 connector, Brass	PCS	3
③	HOLDER	Holder , PBT material, black.	PCS	1
②	BLADE	Blade 2x4mm, copper,nickel-plated	PCS	3
①	POWER CORD	60227 IEC 53 (RVV) 300/500V 3x0.75mm <sup>2</sup> $\phi 6.7 \pm 0.15$ mm BLACK	MM	NA

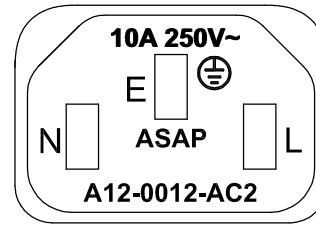
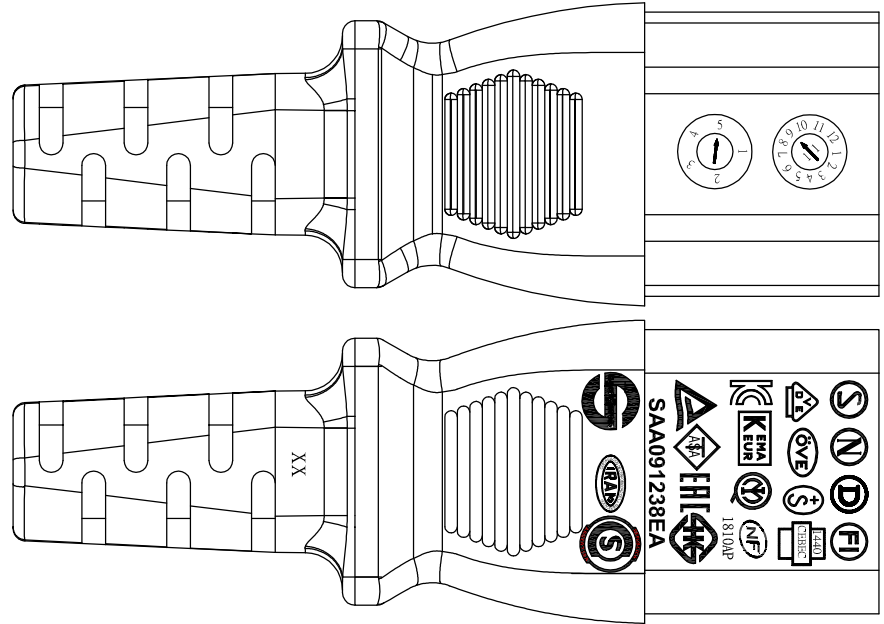
P/N:42 2959

PART NO: L8CAC042-QT-N	TITLE: C14 TO C13 L1.5m black
APPD: Baogen Yang	DWG NO: ACRDN15050022-001
CHKD: Guangren Ouyang	SCALE SHEET REV. NONE 1/2 X
DRAW: Hongmei Hu	

THESE DRAWINGS AND SPECIFICATIONS ARE THE PROPERTY OF LUXSHARE-ICT AND SHALL NOT BE REPRODUCED, COPIED OR CUED IN ANY MANNER WITHOUT THE PRIOR WRITTEN CONSENT OF LUXSHARE-ICT



J1Marking  
J1端標誌



J2Marking  
J2端標誌

X.±	X.°±
.X±	.X°±
.XX±	.XX°±
.XXX±	.XXX°±
UNITS	mm

THESE DRAWINGS AND SPECIFICATIONS ARE THE PROPERTY OF LUXSHARE-ICT AND SHALL NOT BE REPRODUCED, COPIED OR CUED IN ANY MANNER WITHOUT THE PRIOR WRITTEN CONSENT OF LUXSHARE-ICT

**P/N:42 2959**

PART NO:  
L8CAC042-QT-N

TITLE:  
C14 TO C13 L1.5m black

APPD: Baogen Yang  
CHKD: Guangren Ouyang  
DRAW: Hongmei Hu

DWG NO:  
ACRDN15050022-001

	SCALE	SHEET	REV.
	NONE	2/2	X

8

7

6

5

4

2

1

E

E

D

D

C

C

B

B

A

A

8

7

6

5

4

3

2

1