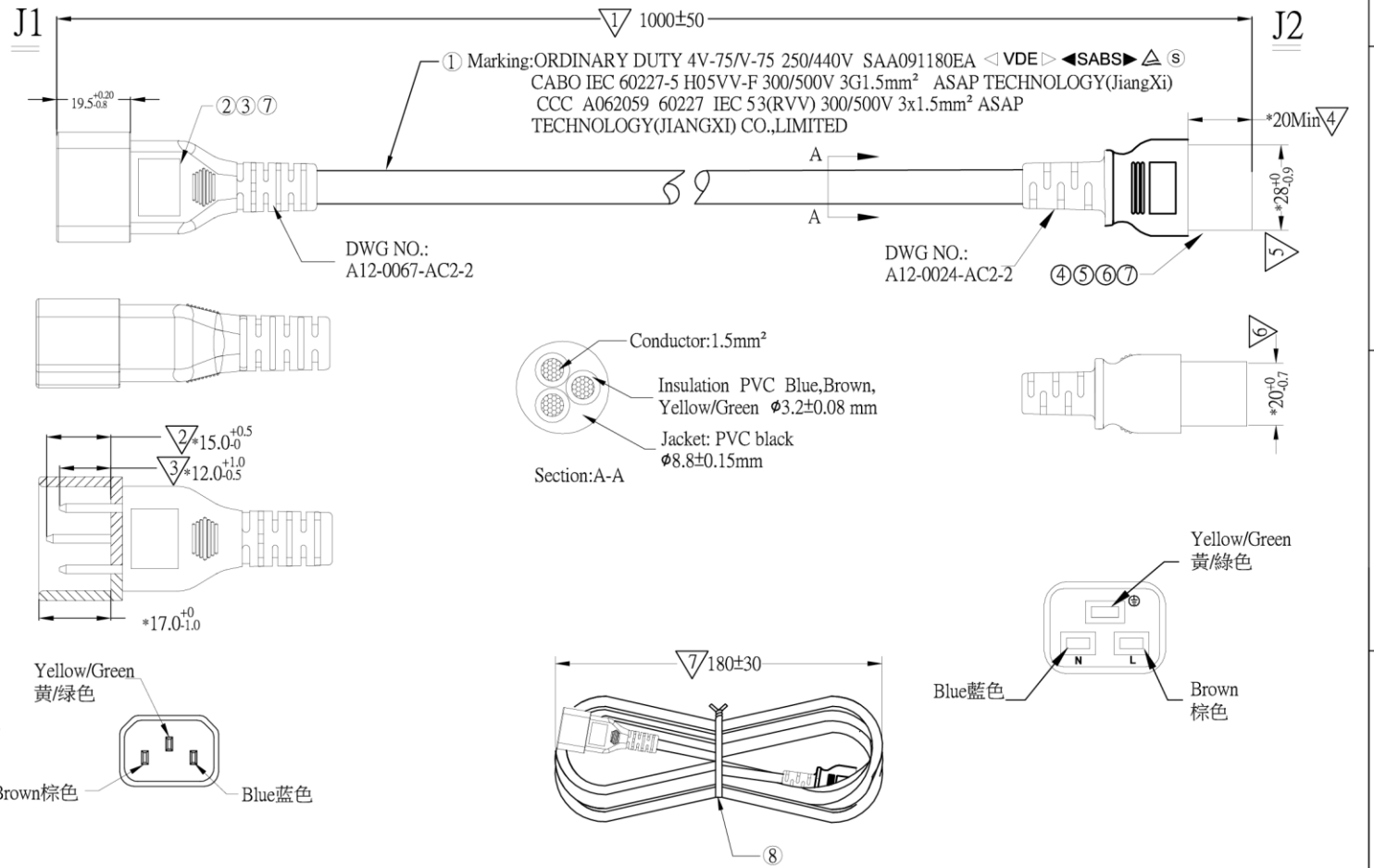


REV.	DESCRIPTION	DESIGN	APPROVAL	DATE
C	Change the customer P/N	DanPeng	XL DENG	2017.07.28
D	ECN19-0000002674(Change The mold drawing of C14&19)	Xiang Deng	XL DENG	2019.01.18
E	ECN19-0000004464(Change The mold drawing of C14)	Xiang Deng	XL DENG	2019.02.15
F	500000041379(removing "S" from CCC marking of the connector)	Hongmei	Hongjiang Zhu	2020.10.21

Technical requirement 技术参数 :

1. Electrical Characteristics Test 电气性能检验
 - 1.1 Products 100% for electrical test. 成品100%电性测试.
 - 1.2 Insulation resistance: No less than 100MΩ of 500V DC/0.4S.
绝缘阻抗: 大于或等于100MΩ 500V DC/0.4S.
 - 1.3 Dielectric strength 耐电压
 - 1.3.1 Between two conductors 2500^{+200}_0 V AC for 1.0s Trip-current 1.0mA max.
导体与导体之间 2500^{+200}_0 V AC /1秒, 漏电流1.0mA(max).
 - 1.3.2 Between conductor and body 4000^{+200}_0 V AC for 1.0s - Trip current 1.0mA max.
导体与本体之间 4000^{+200}_0 V AC /1秒, 漏电流1.0mA(max).
2. Mechanical Characteristics Test 机械性能检验
 - 2.1. Withdrawal force 拔出力
 - 2.1.1 For checking each PIN independently from the standard-gauge below 2.0N(Min) Keep for 3S or more.
标准量规对连接器插孔单PIN保持力为最小2.0N保持3秒以上.
 - 2.1.2 For checking Integral withdrawal force 60N(Max) from maximum standard gauge. 标准量规(最大值)检查整体拔出力 60N(最大).
3. Finished product conditions 成品状态
 - 3.1 The attachment plug front show the test mark of "T".
插头主视面须有测试标志"T".
 - 3.2 The dimension with "X" must be control and inspected importantly.
带"X"尺寸需重点管控和检验.
 - 3.3 The dimension with " * " is for safty size .
带" * "尺寸为安规尺寸.
4. Standards 标准
 - 4.1 The cord shall comply with VDE 0281-5 ,HD21.5.IEC60227
线材符合VDE 0281-5 ,HD21.5 IEC60227
 - 4.2 The plug and connector shall comply with IEC60320
插头和连接器须符合 IEC60320;
5. Environmental requirement 环保要求
 - 5.1 Material and product comply with Doc No."QW-Q-043" 《material-and product- of restricted substance control specification.
物料及成品必须符合QW-Q-043 《材料与成品限用物质管理规范》.



Wiring method 接线方式 :

- J1 cord J2
 E — Yellow/Green 黄/绿 — E
 L — Brown 棕色 — L
 N — Blue 蓝色 — N

P/N:42-2971

ITEM	NAME	DESCRIPTION	Q'TY	UNIT
⑧	TIE	Black PE tie hanking cord and meeting RoHS.	PCS	1
⑦	PLASTIC	55P black PVC pellets meeting RoHS and UL94 V-0.	KG	1
⑥	TERMINAL	2X5U type contact terminal with wing for C19 connector,	PCS	3
⑤	HOUSING	Down cover of C19 , PBT material, black	PCS	1
④	HOUSING	Upper cover of C19 , PBT material, black	PCS	1
③	HOLDER	Holder , PBT material, black.	PCS	1
②	BLADE	Blade 2x4mm, copper,nickel-plated	PCS	3
①	POWER CORD	H05VV-F 3G1.5 , Φ8.8±0.15mm,black.	MM	NA

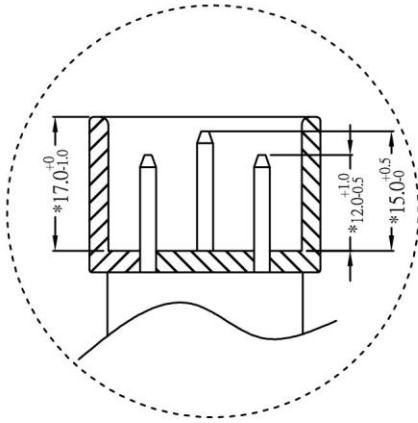
X.±	X.°±
.X±	.X°±
.XX±	.XX°±
.XXX±	.XXX°±
UNITS	mm

PART NO:	TITLE: VDE C14 To C19 L1.0m black
APPD:	DWG NO:
CHKD:	
DRAW:	

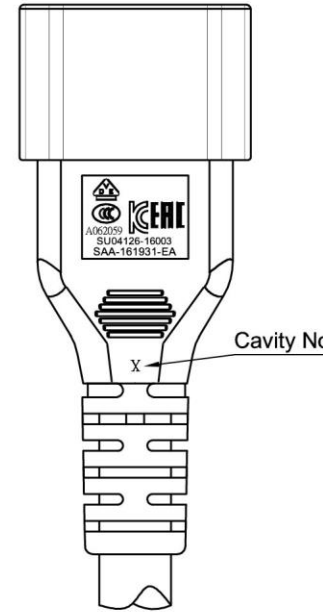
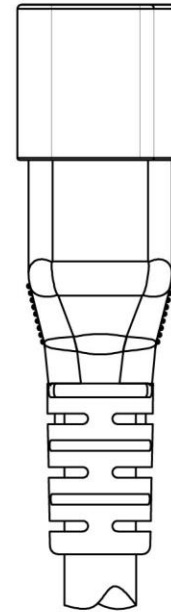
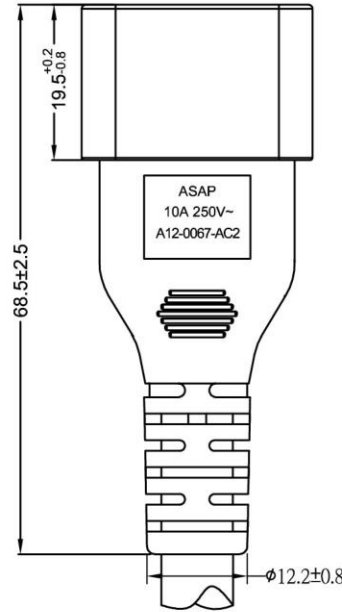
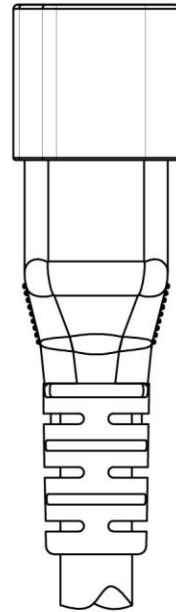
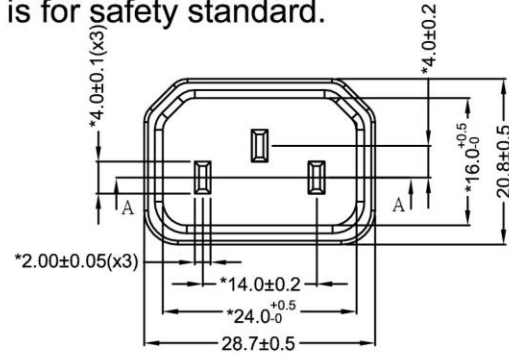
SCALE	SHEET	REV.
NONE	1/1	F

NOTE:
 Technical Requirement: The dimension with " * " is for safety standard.

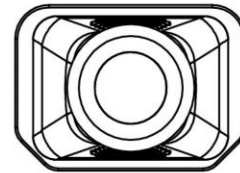
REV.	DESCRIPTION	DESIGN	APPROVAL	DATE
A	NEW	FG HU	QS LIU	2020.02.26



section A-A



Cavity No.
X



ASAP
 10A 250V~
 A12-0067-AC2



注意变更

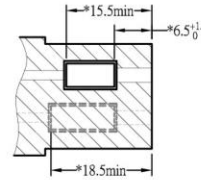
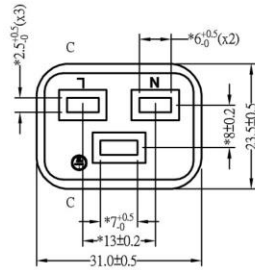
Marking

X. :±0.6	X.° :±1°	DWG TYPE: PRODUCT DRAWING	LUXSHARE-ICT			
.X :±0.4	.X° :±0.6°					
.XX:±0.10	.XX°:±0.3°	MOUID NO: AC-C0067-x	TITLE: CCC/VDE C14			
UNITS	mm	APPD: 欧阳光仁	DWG NO: A12-0067-AC2-2			
THESE DRAWINGS AND SPECIFICATIONS ARE THE PROPERTY OF LUXSHARE-ICT AND SHALL NOT BE REPRODUCED, COPIED OR CUED IN ANY MANNER WITHOUT THE PRIOR WRITTEN CONSENT OF LUXSHARE-ICT		CHKD: 刘秋顺		SCALE	SHEET	REV.
		DRAW: 刘景		NONE	1/1	A

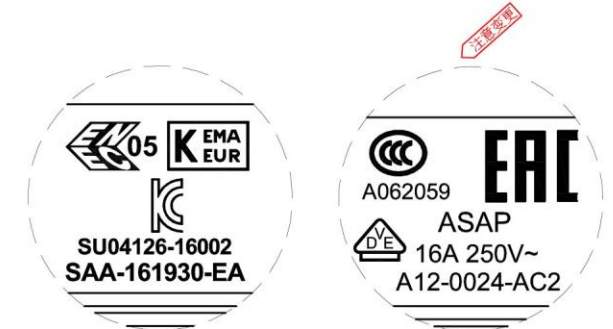
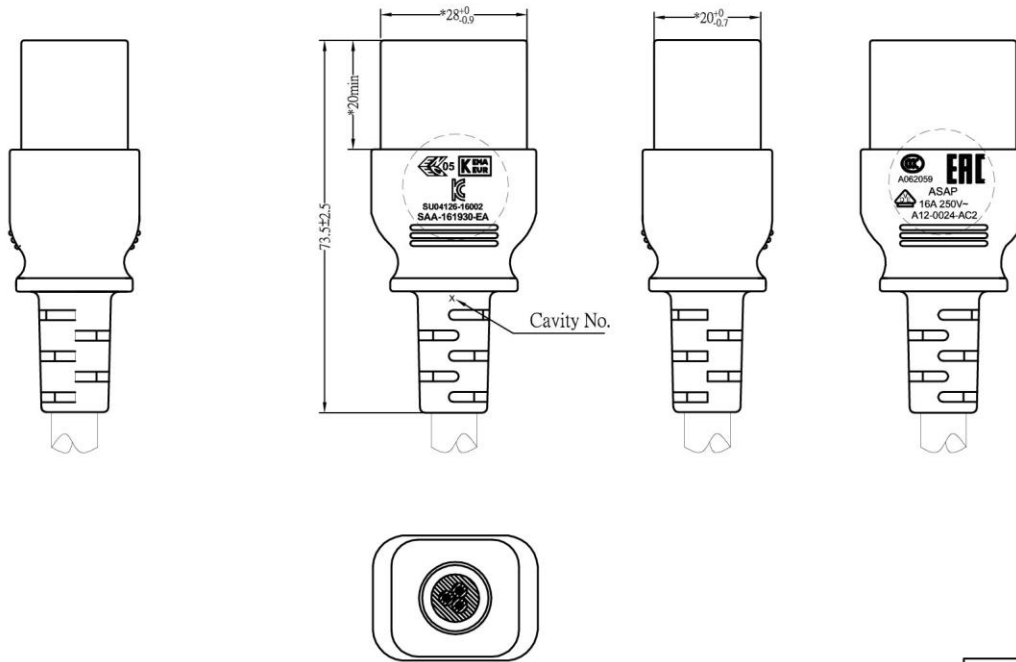
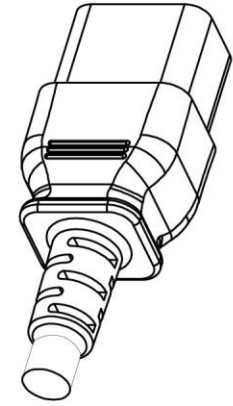
NO.	SPECIFICATION	Remark
1	H05VV-F 3×1.5mm ² Ø8.8mm	Round Cable

NOTE:
Technical Requirement: The dimension with " * " is for safety standard.

REV.	DESCRIPTION	DESIGN	APPROVAL	DATE
A	NEW	Mark Chen	QS LIU	2019.04.09
B	端面增加倒R角	FG HU	QS LIU	2020.05.14



SECTION C-C



Marking 2.5:1

NO.	SPECIFICATION	Remark
1	H05VV-F 3*1.5 OD:8.8	Round Cable

X. :±0.6	X.° :±1°	DWG TYPE: PRODUCT DRAWING	LUXSHARE-ICT			
.X :±0.4	.X° :±0.6°					
.XX:±0.10	.XX°:±0.3°	MOUID NO: AC-C0024-x	TITLE: C19 Connector			
UNITS	mm	APPD:朱红江	DWG NO: A12-0024-AC2-2			
THESE DRAWINGS AND SPECIFICATIONS ARE THE PROPERTY OF LUXSHARE-ICT AND SHALL NOT BE REPRODUCED, COPIED OR CUED IN ANY MANNER WITHOUT THE PRIOR WRITTEN CONSENT OF LUXSHARE-ICT		CHKD:刘秋顺		SCALE	SHEET	REV.
		DRAW:Make chen		NONE	1/1	B