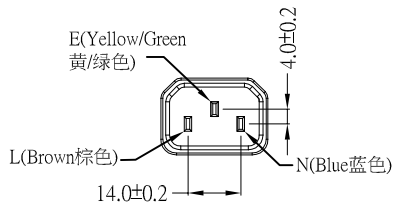
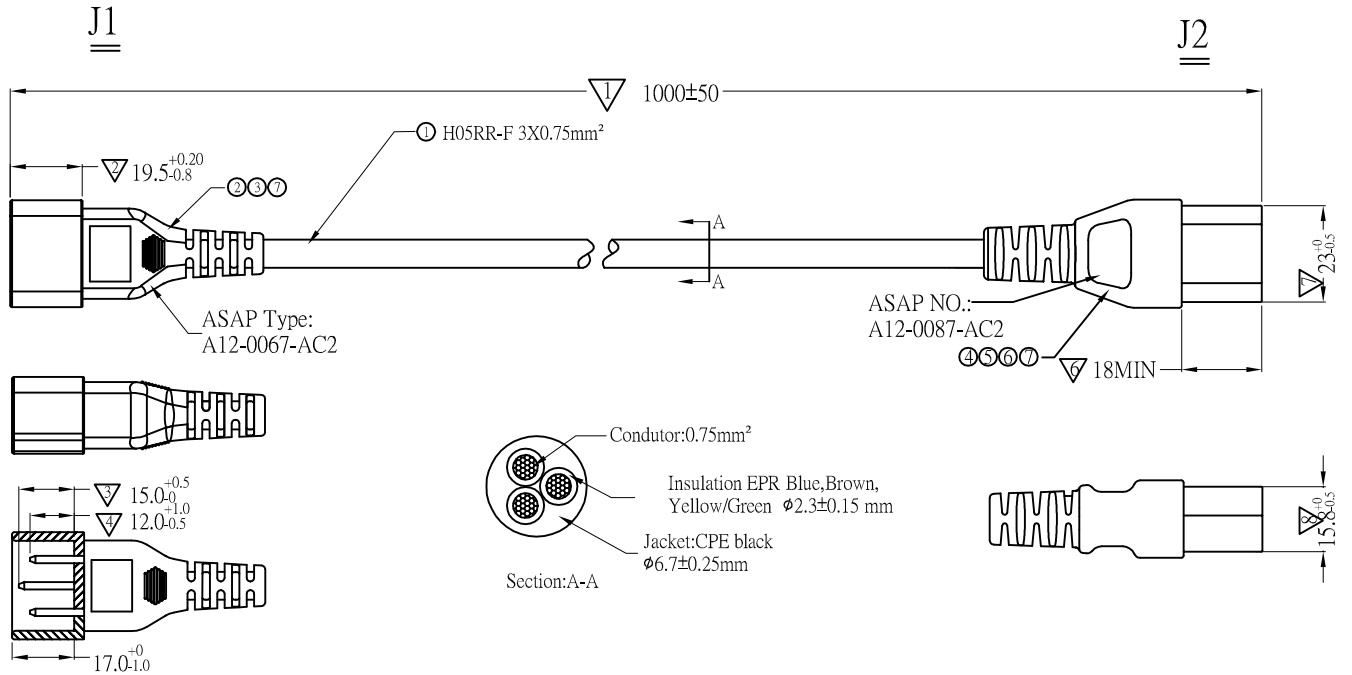


Technical requirement 技术参数：

1. Electrical Characteristics Test 电气性能检验
 - 1.1 Products 100% for electrical test. 成品100%电性测试。
 - 1.2 Insulation resistance: No less than 100MΩ of 500V DC/0.4S. 绝缘阻抗: 大于或等于100MΩ 500V DC/0.4S.
 - 1.3 Dielectric strength 耐电压
 - 1.3.1 Between two conductors 2500_0^{+200} V AC for 1.0s Trip current 1.0mA max. 导体与导体之间 2500_0^{+200} V AC /1秒, 漏电流1.0mA(max)。
 - 1.3.2 Between conductor and body 4000_0^{+200} V AC for 1.0s Trip current 1.0mA max. 导体与本体之间 4000_0^{+200} V AC /1秒, 漏电流1.0mA(max)。
2. Mechanical Characteristics Test 机械性能检验
 - 2.1. Withdrawal force 拔出力
 - 2.1.1 For checking each PIN independently from the standard-gauge below 1.5N(Min) Keep for 3S or more. 标准量规对连接器插孔单PIN 保持力为最小1.5N保持3秒以上。
 - 2.1.2 For checking Integral withdrawal force 50N(MAX) from maximum standard gauge. 标准量规(最大值)检查整体拔出力 50N(MAX)。
3. Finished product conditions 成品状态
 - 3.1 The attachment plug front show the test mark of " T ". 插头主视面须有测试标志" T "。
 - 3.2 The dimension with "▽" must be control and inspected importantly. 带"▽"尺寸需重点管控和检验。
 - 3.3 material and product comply with Doc No."QW-Q-043" 《material- and product- of restricted substance control specification. 物料及成品必须符合QW-Q-043 《材料与成品限用物质管理规范》。
4. The standards for the products.: 产品标准：
 - 4.1 The cord shall comply with IEC 602 45-4/DIN VDE 0282-4 , 线材须符合IEC 60245-4/DIN VDE 0282-4 ;
 - 4.2 The plug and connector shall comply with IEC 60320, 插头和连接器须符合IEC60320;

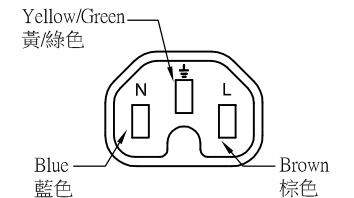
REV.	DESCRIPTION	DESIGN	APPROVAL	DATE
X	NEW	Betty	BG Yang	2014.10.22
X1	amend information of section A-A	Betty	BG Yang	2014.10.23



Wiring method :

J1 cord J2
 E — Yellow/Green — E
 L — Brown — L
 N — Blue — N

Marking details J1 see the second page
 (J1端标志详见第二页)



Marking details J2 see the second page
 (J2端标志详见第二页)

ITEM	NAME	DESCRIPTION	UNIT	QTY
⑧	TIE	BLACK PE tie hanking cord and meeting RoHS.	pcs	1
⑦	PLASITC	55P BLACK PVC pellets meeting RoHS and UL94 V-0.	g	1
⑥	TERMINAL	U type contact terminal with wing for C15 connector, phosphor copper.	pcs	3
⑤	HOUSING	Down cover of C15 , PBT material, white	pcs	1
④	HOUSING	Upper cover of C15 , PBT material, white	pcs	1
③	HOLDER	Holder , PBT material, black.	pcs	1
②	BLADE	Blade 2x4mm, copper,nickel-plated	pcs	3
①	POWER CORD	H05RR-F 3X0.75mm²	mm	NA

X.±	X.°±	UNITS
.X±	.X°±	mm
.XX±	.XX°±	MATL
.XXX±	.XXX°±	
		FINISH
		Q'TY

P/N: 42 2979								
PART NO: ACRDN14100072		TITLE: VDE C14 To C15 L1.0M Black						
APPD: Baogen Yang		DWG NO: ACRDN14100072						
CHKD: Guangren Ouyang		<table border="1"> <tr> <td>SCALE</td> <td>SHEET</td> <td>REV.</td> </tr> <tr> <td>NONE</td> <td>1/2</td> <td>X1</td> </tr> </table>	SCALE	SHEET	REV.	NONE	1/2	X1
SCALE	SHEET		REV.					
NONE	1/2	X1						
DR: Betty Zou								

THESE DRAWINGS AND SPECIFICATIONS ARE THE PROPERTY OF ASAP TECHNOLOGY(JIANGXI)CO., LIMITED AND SHALL NOT BE REPRODUCED, COPIED OR CUED IN ANY MANNER WITHOUT THE PRIOR WRITTEN CONSENT OF ASAP TECHNOLOGY(JIANGXI)CO., LIMITED.

8 7 6 5 4 3 2 1

E E

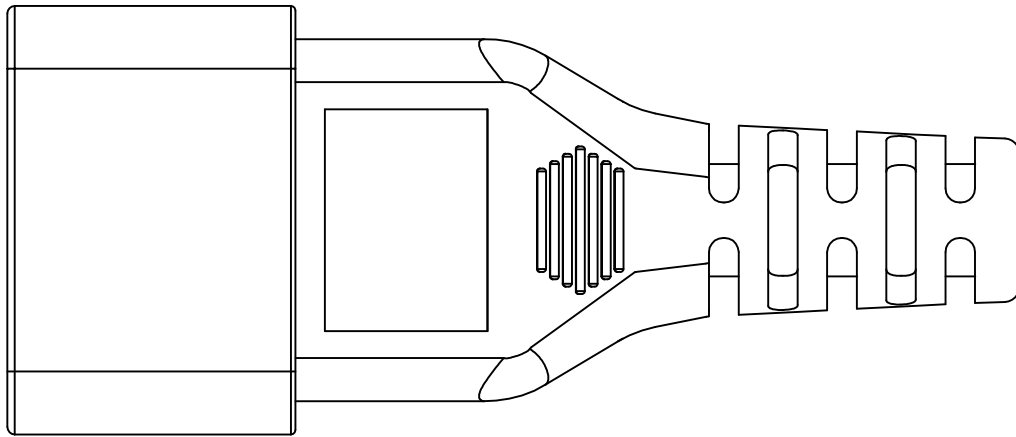
D D

C C

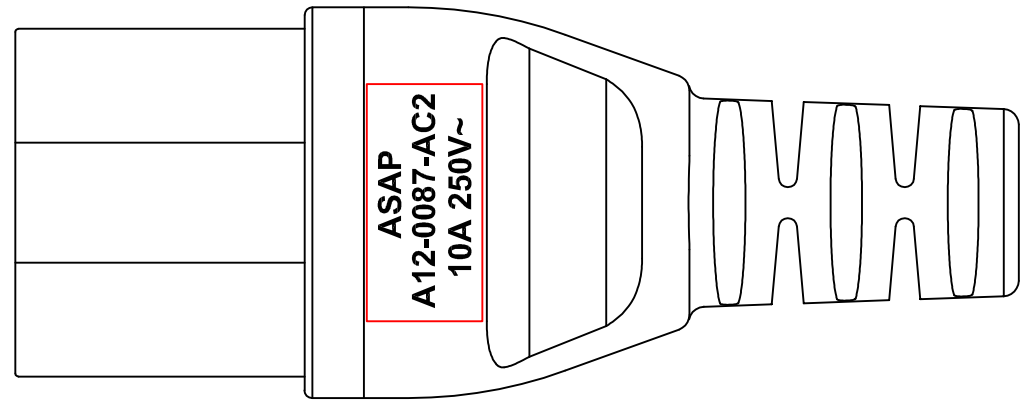
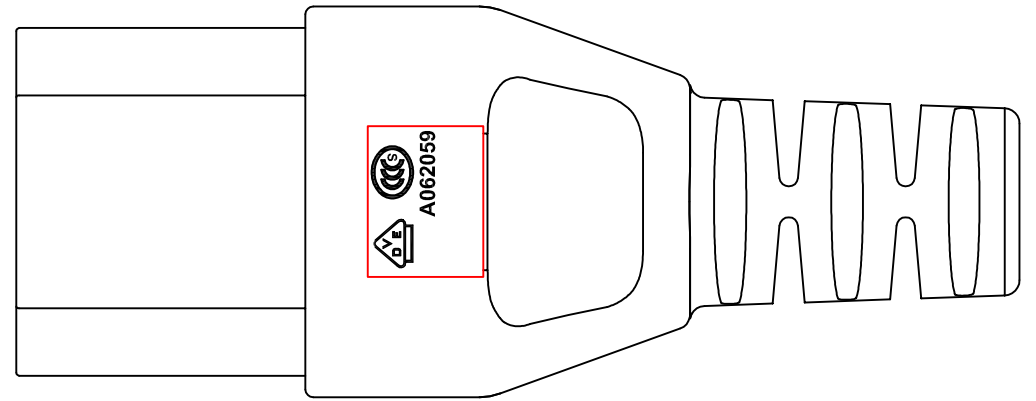
B B

A A

8 7 6 5 4 3 2 1



J1Marking
J1端標誌



J2Marking
J2端標誌

X.±	X.°±	UNITS mm	P/N: 42 2979				
.X±	.X°±						
.XX±	.XX°±	MATL	PART NO: ACRDN14100072	TITLE: VDE C14 To C15 L1.0M Black			
.XXX±	.XXX°±		FINISH	APPD: Baogen Yang	DWG NO: ACRDN14100072		
THESE DRAWINGS AND SPECIFICATIONS ARE THE PROPERTY OF ASAP TECHNOLOGY(JIANGXI)CO., LIMITED AND SHALL NOT BE REPRODUCED, COPIED OR CUED IN ANY MANNER WITHOUT THE PRIOR WRITTEN CONSENT OF ASAP TECHNOLOGY(JIANGXI)CO., LIMITED.			CHKD: Guangren Ouyang		SCALE	SHEET	REV.
			Q'TY		DR: Betty Zou	NONE	2/2