

1 2 3 4 5 6

A

A

B

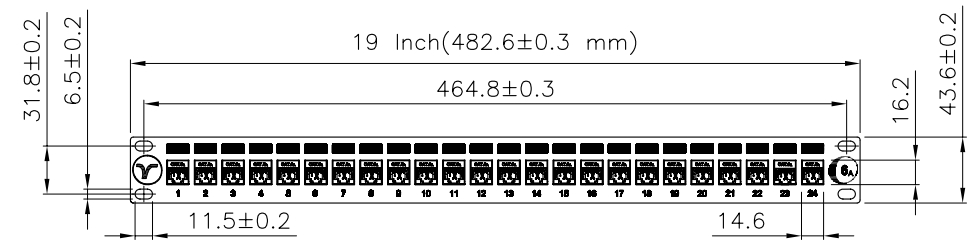
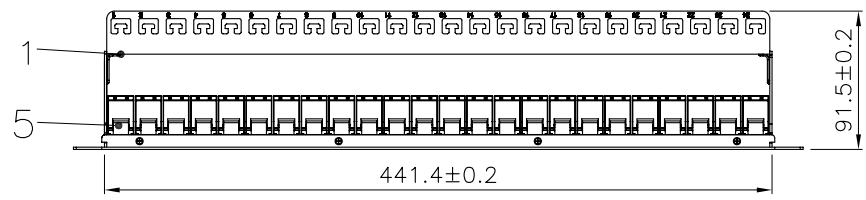
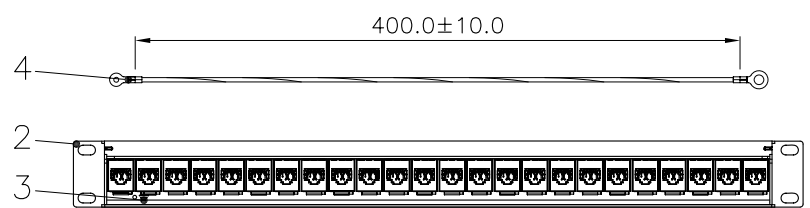
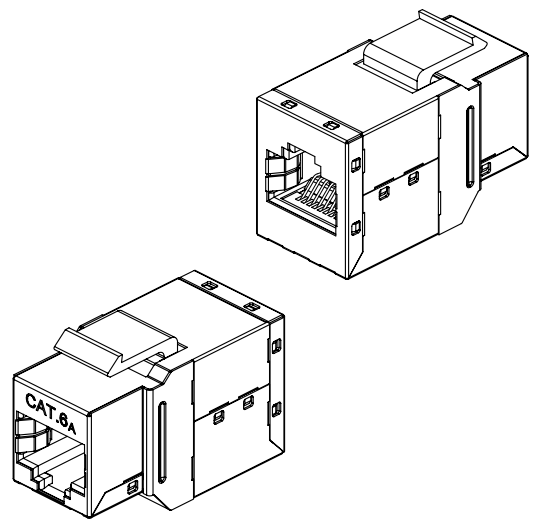
B

C

C

D

D



Specification :

Material :

1. Support Bar : SPCC, 1.5mm thickness with Black (RAL 9005) color painted.
2. Top Case : SPCC, 1.5mm thickness with Black (RAL 9005) color painted.
3. Base Case : SPCC, 1.5mm thickness 5~8um nickel plate.
4. Ground Cable : 18 AWG Wire, with Green/Yellow striped color, length 40 cm.
5. Keystone Jack :
 - 5-1. RJ45 Jack Housing : ABS+PC, UL 94V-0, with Black color.
 - 5-2. Jack Bracket Set : PC, UL 94V-2, Transparent color.
 - 5-3. RJ45 Jack Shield : Bronze with Nickel plated.
 - 5-4. RJ45 Jack Contact material & finished :
 - 5-4-1. Phosphor Bronze.
 - 5-4-2. Contact area : Min. 3 mm 50 micro-inch Gold plated over Nickel plated.

Performance :

- a. Insertion force : 30N max. (IEC 60603-7-5)
- b. Retention strength : 7.7 kg between Jack and Plug.
- c. Operating temperature : -10°C to 60°C. (ISO/IEC 11801, ANSI/TIA/EIA 568 B.2)
- e. Life(mating cycles) :
 - * Jack : 750 cycles min. (ISO/IEC 11801, IEC 60603-7-5)
- e. The 10G channel transmission performance is in compliance with TIA/EIA 568B.2-10 10G standard.

GENERAL TOLERANCE OF DIMENSIONS X.XXX ±0.005 X.XX ±0.05 X.X ±0.1	DRAWING	09.APR.2011	KLi	ITEM NO.: 72 3408	
	CHECK	09.APR.2011	Maer		
	APPROVAL	09.APR.2011	Yty		
		DATE	NAME		
	SCALE	1/5 (A4)	UNIT	mm	DES.: 24P FTP KEYSTONE PANEL W/ SUPPORT BAR
	DRAWING NO. AJCEB0111100315PKJF24+KJ9AS-C6A(SA1)		DRAWING CLASSIFICATION		SHEET 1 OF 1
					A1

1 2 3 4 5 6
0 10cm