

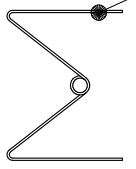
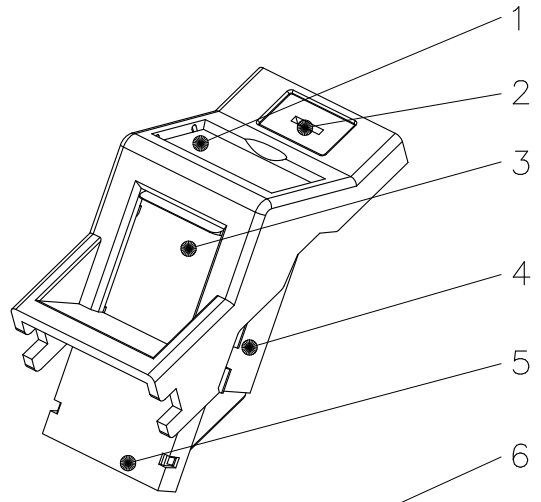
1 2 3 4 5 6

A

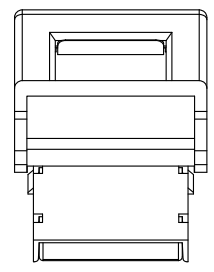
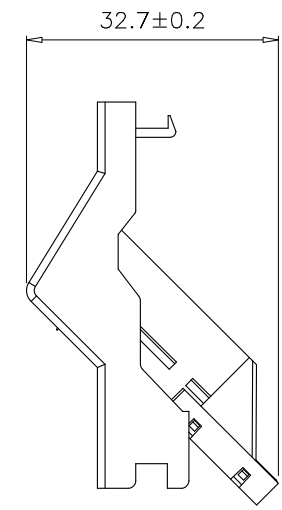
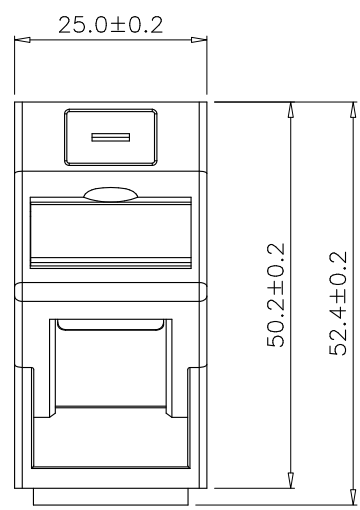
B

C

D



SCALE 1/1



Specification :

Material :

- 1. Identification :
  - 1-1. I.D. Plate : PC, UL 94V-2
  - 1-2. Paper.
- 2. ABS, UL 94-HB, with white color.
- 3. ABS, UL 94-HB.
- 4. ABS, UL 94-HB.
- 5. ABS, UL 94-HB.
- 6. Stainless steel.

GENERAL TOLERANCE OF DIMENSIONS X.XXX ±0.005 X.XX ±0.05 X.X ±0.1	DRAWING	26.MAY.2010	QIQI	<h1>Velocity</h1>
	CHECK	26.MAY.2010	JANE	
	APPROVAL	26.MAY.2010	JAIMY	
	DATE		NAME	ITEM NO.: 72 3755
SCALE	1/1 (A4)	UNIT	mm	DES.: Modular Inset 1-Port angel
		DRAWING NO. AAI0D0101100004 JE339-W1(SA3)		
		DRAWING CLASSIFICATION	S SHEET	

1 2 3 4 5 6

10cm