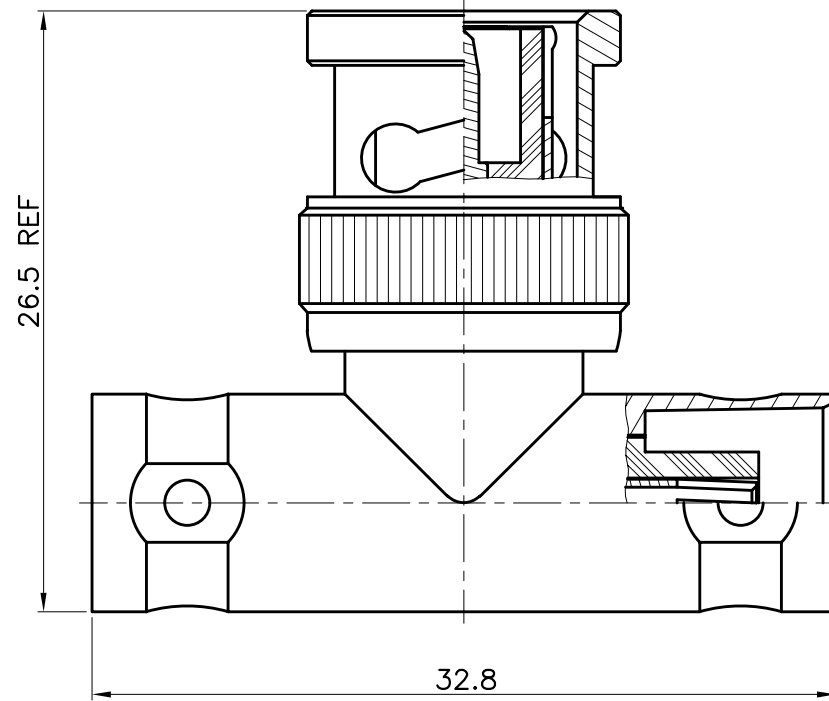


REVISIONS	
ISS	DESCRIPTION\DATE

RoHS COMPLIANT



TITLE: BNC MALE TO DOUBLE BNC FEMALE		APRD:	UNLESS OTHERWISE SPECIFIED TOLERANCES 0,5-6 = ±0,2 >6-30 = ±0,4 >30-120 = ±0,6 >120-315 = ±1 >315-1000 = ±1,6 ANGLES = ±5°			
PART NO: BNC24		CHKD:		SHELL	ZINC ALLOY	NICKEL
DRAWING NO: 20010-015(A003D001) 032		DR:		CONTACT PIN	PHOSPHOR BRONZE	GOLD
DATE: 03/01/13"		UNIT: mm	CONTACT PIN	BRASS	GOLD	
SHEET: .		SCALE: 3/1	INSULATOR	DELTRIN	WHITE	
			BODY	ZINC ALLOY	NICKEL	
			NO. DESCRIPTION	MATERIAL	FINISH	