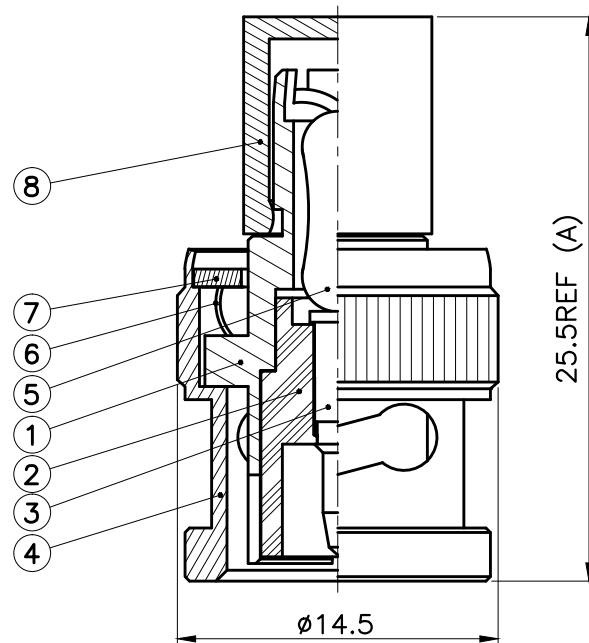
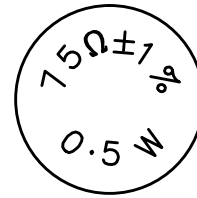


REVISIONS	
ISS	DESCRIPTION\DATE

RoHS COMPLIANT



APRD:	UNLESS OTHERWISE SPECIFIED TOLERANCES 0.5-6 = ±0.2 >6-30 = ±0.4 >30-120 = ±0.6 >120-315 = ±1 >315-1000 = ±1.6 ANGLES = ±5°	8	CAP	PE	PURPLE	KA/2005/50916	
CHKD:		7	WASHER	STEEL	NICKEL	KA/2005/10523\ KA/2005/60362	
DR:		6	SPRING	SK-5	NICKEL	KA/2005/10524\ KA/2005/60362	
		5	RESISTOR 75 OHM ±1% 0.5W			SZ050816068EC-8.7	
TITLE: BNC MALE TERMINATOR		4	SHELL	ZINC ALLOY	NICKEL	KA/2005/10528\ KA/2005/60362	
PART NO: BNC31	DATE: 03/06/05"	UNIT: mm	3	CONTACT PIN	BRASS	GOLD	KA/2005/10527\ KA/2005/30993
DRAWING NO: 50903-015(BM75E000)	SHEET: .	SCALE: 3/1	2	INSULATOR	DELTRIN	WHITE	KA/2005/10531
			1	BODY	ZINC ALLOY	NICKEL	KA/2005/10528\ KA/2005/60362
			NO.	DESCRIPTION	MATERIAL	FINISH	SGS REPORT NO