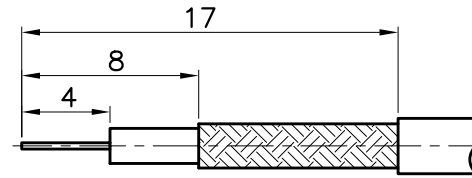
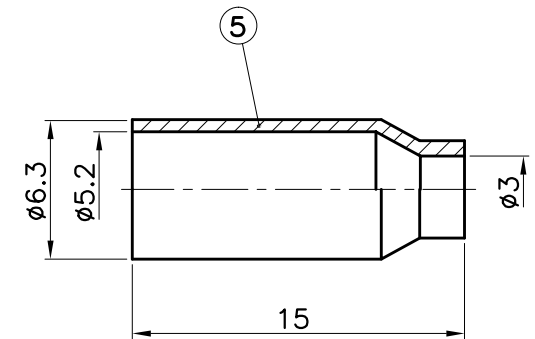
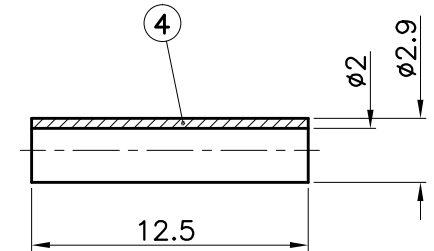
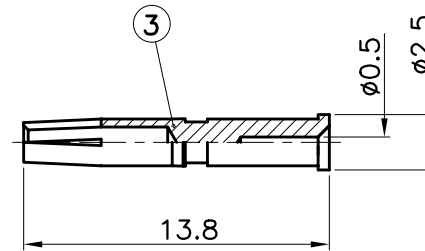
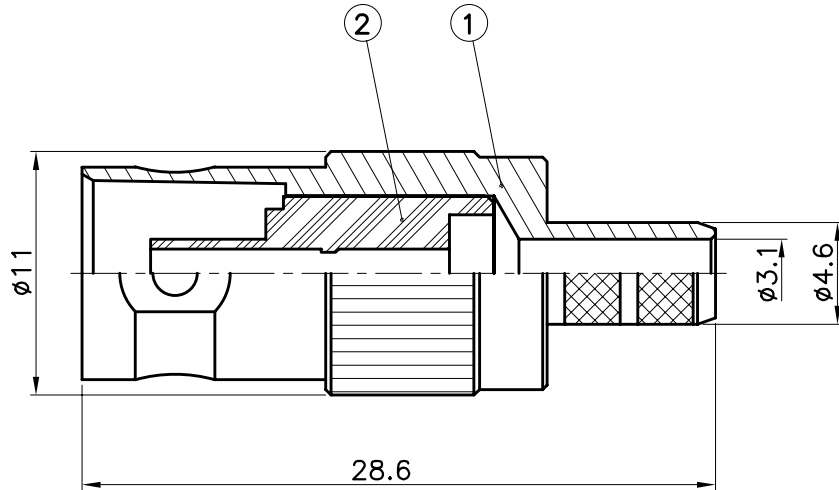


REVISIONS	
ISS	DESCRIPTION\DATE



RoHS COMPLIANT

RECOMMENDED  
CABLE STRIPPING DIM'S



1. CRIMPED FERRULE  
HEX CRIMP SIZE .213"
2. CRIMPED CONTACT PIN  
HEX CRIMP SIZE .068"

APRD:	UNLESS OTHERWISE SPECIFIED TOLERANCES 0.5-6 = ±0.2 >6-30 = ±0.4 >30-120 = ±0.6 >120-315 = ±1 >315-1000 = ±1.6 ANGLES = ±5°						
CHKD:		5	FERRULE	BRASS	NICKEL	KA/2005/10527\ KA/2005/60362	
DR:		4	SPACER	DELRIN	WHITE	KA/2005/10531	
TITLE: BNC FEMALE CRIMP (75 ohms) (FOR RG179)	DATE: 05/22/06"	UNIT: mm	3	CONTACT PIN	BRASS	GOLD	KA/2005/10527\ KA/2005/30993
PART NO: BNC8-179	SHEET: .	SCALE: 3/1	2	INSULATOR	DELRIN	WHITE	KA/2005/10531
DRAWING NO: 50665-160(B007B179-75)			1	BODY	BRASS	NICKEL	KA/2005/10527\ KA/2005/60362
			NO.	DESCRIPTION	MATERIAL	FINISH	SGS REPORT NO