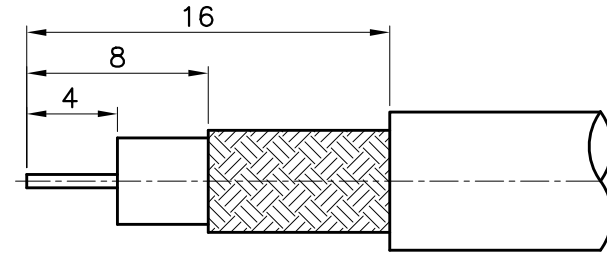
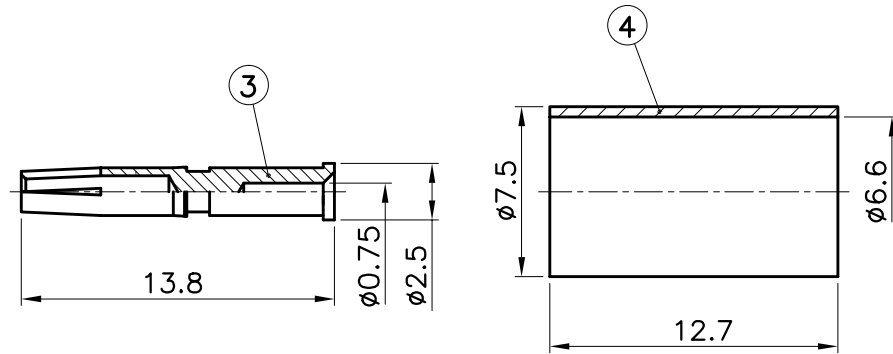
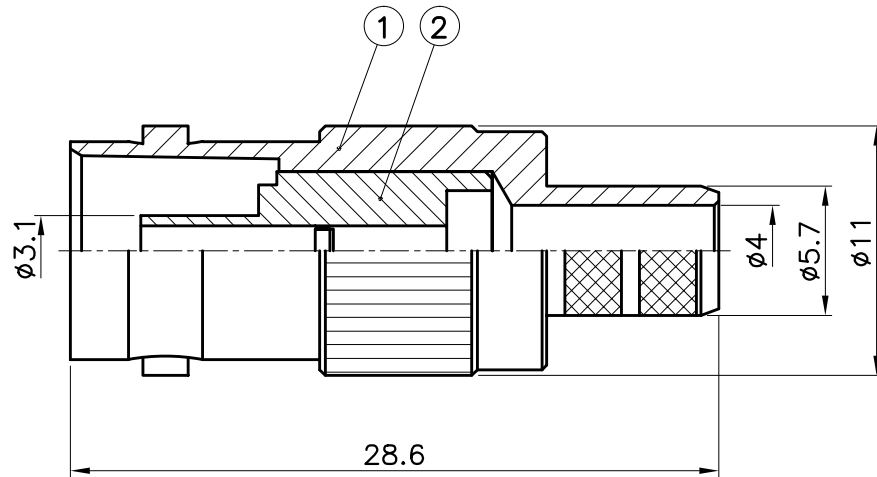


REVISIONS	
ISS	DESCRIPTION \ DATE

RoHS COMPLIANT



CABLE STRIPPING DIM'S



1. CRIMPED FERRULE
HEX CRIMP SIZE .256"
2. CRIMPED CONTACT PIN
HEX CRIMP SIZE .068"

TITLE: BNC FEMALE CRIMP (FOR RG59)(75 ohm)	APRD:	UNLESS OTHERWISE SPECIFIED TOLERANCES 0.5-6 = ±0.2 >6-30 = ±0.4 >30-120 = ±0.6 >120-315 = ±1 >315-1000 = ±1.6 ANGLES = ±5°				
PART NO: BNC8-59	CHKD:		FERRULE	BRASS	NICKEL	KA/2005/10527 \ KA/2005/60362
DR. NO: 50666-100(B007B059/448-75)	DR:		CONTACT PIN	BRASS	GOLD	KA/2005/10527 \ KA/2005/30993
	DATE: 11/30/10"	UNIT: mm	INSULATOR	DELTRIN	WHITE	KA/2005/10531
	SHEET: .	SCALE: 3/1	BODY	BRASS	NICKEL	KA/2005/10527 \ KA/2005/60362
			NO. DESCRIPTION	MATERIAL	FINISH	SGS REPORT NO