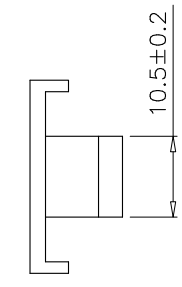
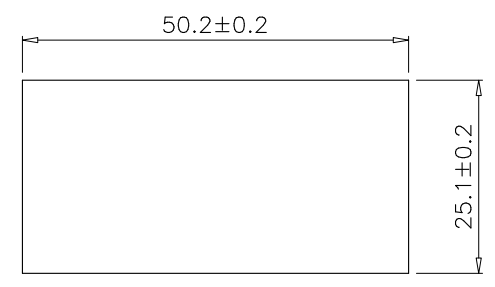
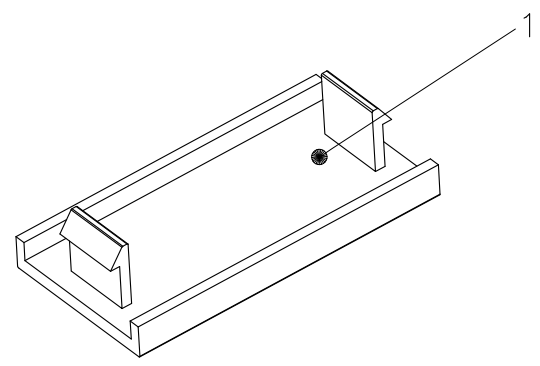


1 2 3 4 5 6

A

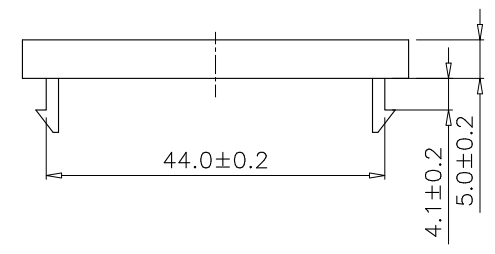
A



SCALE 1/1

B

B



C

C



D

D

Specification :

Material :  
1. ABS, UL 94-HB, with white color.

GENERAL TOLERANCE OF DIMENSIONS X.XXX ±0.005 X.XX ±0.05 X.X ±0.1	DRAWING	26.MAY.2010	QIQI	<b>Maxxam</b>	
	CHECK	26.MAY.2010	JANE		
	APPROVAL	26.MAY.2010	JAIMY		
		DATE	NAME	ITEM NO.: XXP1021	
	SCALE	1/1 (A4)	UNIT	mm	DES.: Blank Insert
	DRAWING NO. AAIPA0001000004 JE303W1-BB(SA2)		DRAWING CLASSIFICATION		S SHEET 1 OF 1

1 2 3 4 5 6  
0 10cm